

# TRIPLE-R 1250 ELITE

## WITH INTELLIGENT LOW BEAM ASSIST

A world first, utilising patent-pending technology, the Triple-R 1250 Elite with Intelligent Low Beam Assist redefines the performance and functionality of auxiliary LED driving lights. A combination of the latest high-efficiency LEDs delivers a finely-tuned beam pattern, optimised for road use, that is simply unrivalled considering the lamps size. Additionally, through the adoption of photoelectric sensors embedded within the driving light, when the high beam light is turned off the lamp enters a Low Beam Assist mode, which maintains additional levels of illumination in zones where there is confirmed no oncoming vehicles or obstacles.



VEHICLE LOW BEAM



LOW BEAM WITH TRIPLE-R 1250 ELITE INTELLIGENT LOW BEAM ASSIST



LOW BEAM WITH TRIPLE-R 1250 ELITE INTELLIGENT LOW BEAM ASSIST  
Responding to oncoming road traffic



TRIPLE-R 1250 ELITE I-LBA HIGH BEAM



SEE MORE. **GO FASTER.** GO SAFER.

# TRIPLE-R 1250 ELITE WITH INTELLIGENT LOW BEAM ASSIST

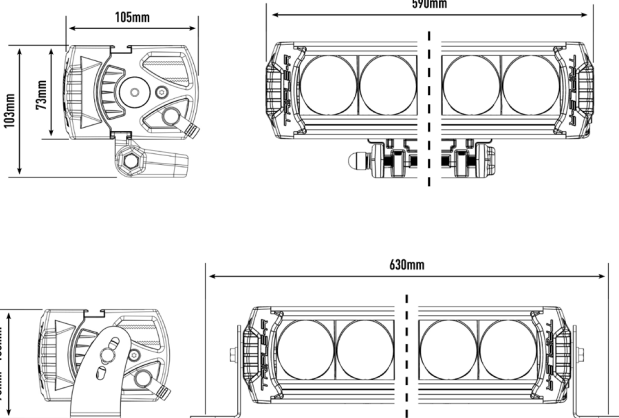
- Low Beam assist technology
- Ultra long-range optics optimised for road and rural driving
- High intensity LED's deliver exceptional luminosity and left/right spread
- Component technology shared with WRC lighting solutions
- CAE optimised heatsink
- Electronic thermal management
- 'Unbreakable' polycarbonate lens with hardcoat
- E-Boost technology

## MOUNTING OPTIONS

CENTRE MOUNT



SIDE MOUNT - Sold seperately



E-MARK REF	40
VOLTAGE RANGE	10V - 32V
RAW LUMENS	13,136
BEAM PATTERN	Spot
BEAM DISTANCE (0.25LX)	1652
# HIGH POWER LEDS	36
POWER CONSUMPTION	200 Watts
CURRENT DRAW†	14.9 Amps
LED LIFE	50,000 Hrs*
WEIGHT	2400g

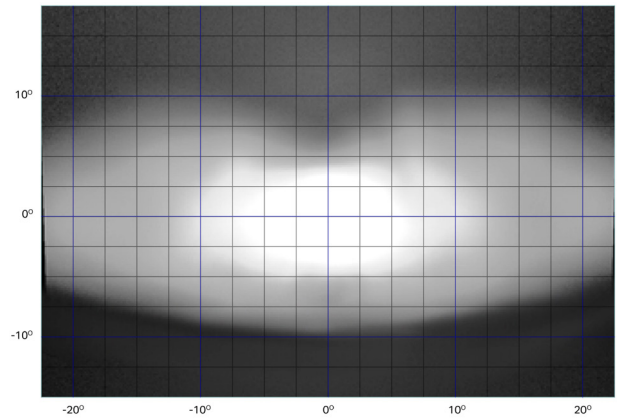
**E9**  
APPROVED HEADLIGHT

**IP67**  
WATERPROOF

**5** YEAR  
WARRANTY

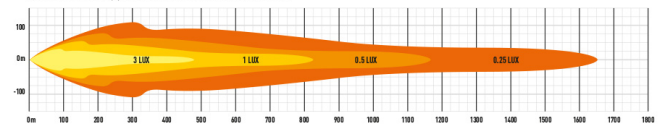
\* LED Manufacturers Specifications †At 14.4 Volts

Horizontal: 44° / Vertical: 17° (2% of peak)



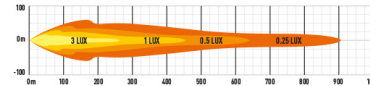
TRIPLE-R 1250 ELITE WITH i-LBA (E-BOOST MODE)

Generated from BSI lamp photometric test data: on road measurement data



TRIPLE-R 1250 ELITE WITH i-LBA (E-MARK COMPLIANT MODE)

Generated from BSI lamp photometric test data: on road measurement data



LAZER LAMPS LTD, Units 1+2, Harlow Mill Business Centre, Riverway, Harlow, Essex. CM20 2FD. UK  
Tel: +44(0)1992 677374 | Email: sales@lazerlamps.com | Web: www.lazerlamps.com

