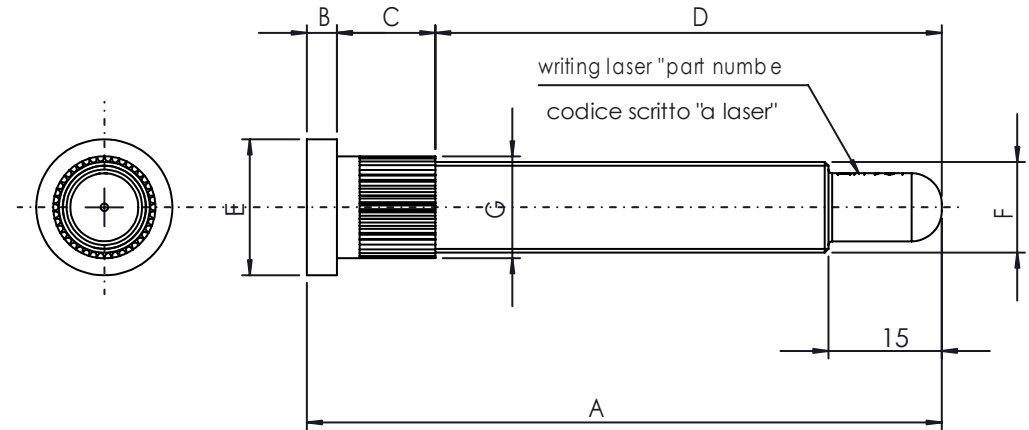


## DOUBLE THREAD STUD PRIGIONIERO DOPPIO FILETTO

"OLD" Part number	"NEW" Part number	B	C	A	E	D
68A	<a href="#">74A</a>	15	52	74	12 X 1,25	12 X 1,25
<a href="#">82A</a>	<a href="#">86A</a>	15	64	86	12 X 1,25	12 X 1,25
100A	<a href="#">102A</a>	15	80	102	12 X 1,25	12 X 1,25
<a href="#">68B</a>	<a href="#">74B</a>	15	52	74	12 X 1,5	12 X 1,25
82B	<a href="#">86B</a>	15	64	86	12 X 1,5	12 X 1,25
<a href="#">100B</a>	<a href="#">102B</a>	15	80	102	12 X 1,5	12 X 1,25
68F	<a href="#">74F</a>	15	52	74	14 X 1,5	14 X 1,5
<a href="#">82F</a>	<a href="#">86F</a>	15	64	86	14 X 1,5	14 X 1,5
<a href="#">100F</a>	<a href="#">102F</a>	15	80	102	14 X 1,5	14 X 1,5
<a href="#">71M</a>	<a href="#">77M</a>	15	52	77	14 X 1,25	14 X 1,5
80M	<a href="#">86M</a>	15	64	86	14 X 1,25	14 X 1,5
90M	<b>*102M</b>	15	80	102	14 X 1,25	14 X 1,5
70OP	<a href="#">76OP</a>	15	54	76	12 X 1,5	12 X 1,5
<a href="#">90OP</a>	<a href="#">94OP</a>	15	72	94	12 X 1,5	12 X 1,5
100OP	<a href="#">102OP</a>	15	80	102	12 X 1,5	12 X 1,5

The "OLD PART" available only for minimum order of 200 pcs  
I codici "OLD PART" sono disponibili solo per ordini minimi di 200pz  
\* MOQ Minimum order quantity 100 pcs  
\* MOQ Minimo ordinabile 100 pz

REV	DATE	DESCRIPTION	DESIGNED	CHECKED	APPROVED
0	04/04/2017	ORIGINAL VERSION			
PFC.	WEIGHT	MATERIAL	OXIDATION BLACK COLOUR / OSSIDAZIONE COLORE NERO		
		39NiCrMo3			
DESCRIPTION					
DOUBLE THREAD STUD PRIGIONIERO DOPPIO FILETTO					

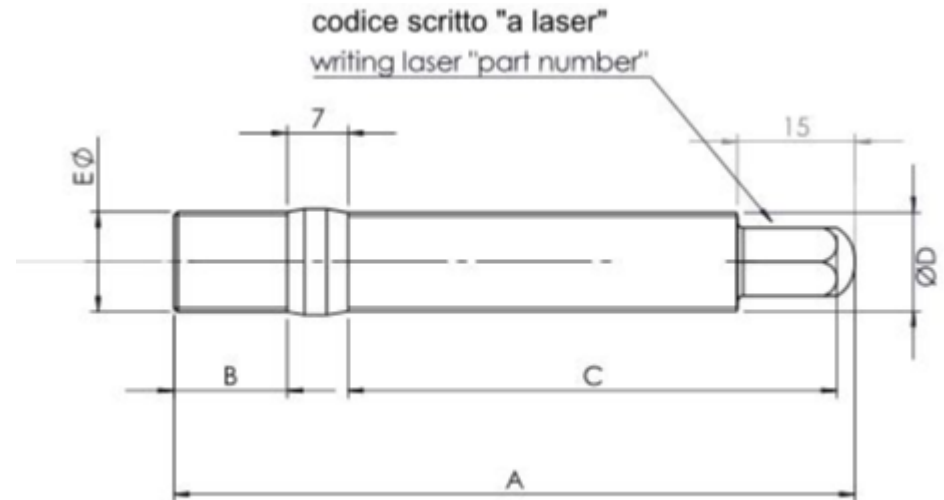
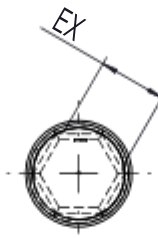
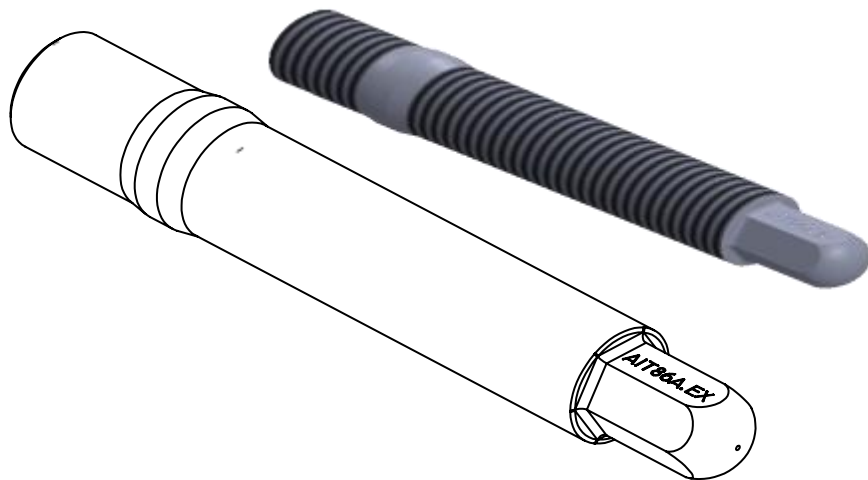


### SPLINED THREAD STUD PRIGIONIERO CON MILLERIGHE A PIANTAGGIO

"OLD" Part number	"NEW" Part number	A	B	C	D	E	F	G
<a href="#">68C</a>	<a href="#">74C</a>	74	4	14	56	17	12 X 1,5	12,8
<a href="#">82C</a>	<a href="#">86C</a>	86	4	14	68	17	12 X 1,5	12,8
<a href="#">100C</a>	<a href="#">102C</a>	102	4	14	84	17	12 X 1,5	12,8
<a href="#">59D</a>	<a href="#">*65D</a>	65	3	10	52	19	12 X 1,25	12,4
<a href="#">55F</a>	<a href="#">61F</a>	61	5	15	41	35	14 X 1,5	14,9
<a href="#">75G</a>	<a href="#">81G</a>	81	4	11	66	20	14 X 1,5	14,3
<a href="#">100G</a>	<a href="#">102G</a>	102	5	13	87	20	14 X 1,5	14,8
<a href="#">64HY</a>	<a href="#">*70HY</a>	70	4	10	56	17	12 X 1,5	14,4
<a href="#">68H</a>	<a href="#">74H</a>	74	5	11	58	19	12 X 1,5	12,3
<a href="#">84J</a>	<a href="#">*88J</a>	88	5	7	75	17	1/2" UNF	13,4
<a href="#">61M</a>	<a href="#">67M</a>	67	4	8	55	20	12 X 1,5	14,7
<a href="#">65M</a>	<a href="#">71MZ</a>	71	4	11	56	17	12 X 1,5	13
<a href="#">67MI</a>	<a href="#">73MI</a>	73	3	7	63	18	12 X 1,5	14,2
	<a href="#">*102MI</a>	102	5	13	87	20	12 X 1,5	14,2
<a href="#">62N</a>	<a href="#">68N</a>	68	5	7	56	20	12 X 1,25	14,2
<a href="#">64N</a>	<a href="#">70N</a>	70	4	10	56	19	12 X 1,25	12,8
<a href="#">74NSR</a>	<a href="#">*80NSR</a>	80	6	14	60	24	5/8"	17,5
<a href="#">108NSR</a>	<a href="#">*110NSR</a>	110	6	14	90	24	5/8"	17,5
<a href="#">66S</a>	<a href="#">72S</a>	72	5	10	57	19	12 X 1,25	14,5
<a href="#">68STR</a>	<a href="#">74STR</a>	74	9	15	50	24	14 X 1,5	16,9
<a href="#">73T</a>	<a href="#">78T</a>	78	5	9	64	18	12 X 1,5	14,3
<a href="#">70V</a>	<a href="#">*76V</a>	76	5	17	53	21	12 X 1,5	16,3
<a href="#">74V</a>	<a href="#">*80V</a>	80	4	13	63	18	15 X 1,5	13,5

The "OLD PART" available only for minimum order of 200 pcs  
 I codici "OLD PART" sono disponibili solo per ordini minimi di 200pz  
 \* MOQ Minimum order quantity 100 pcs  
 \* MOQ Minimo ordinabile 100 pz

REV	DATE	DESCRIPTION	DESIGNED	CHECKED	APPROVED
0	04/04/2017	ORIGINAL VERSION			
PPC.	WEIGHT	MATERIAL	Treatment		
		39NiCrM o3	OXIDATION BLACK COLOUR/ OSSIDAZIONE COLORE NERO		
DESCRIPTION					
<b>SPLINED THREAD STUD PRIGIONIERO CON MILLERIGHE A PIANTAGGIO</b>					



**DOUBLE THREAD HEXAGONAL HEAD STUD  
PRIGIONIERO DOPPIO FILETTO CON SEDE PER CHIAVE  
ESAGONALE**

"NEW" Part number	EX	B	C	A	E	D
*74A.EX	8	15	53	74	12 X 1,25	12 X 1,25
*86A.EX	8	15	65	86	12 X 1,25	12 X 1,25
*102A.EX	8	15	81	102	12 X 1,25	12 X 1,25
*74B.EX	8	15	53	74	12 X 1,5	12 X 1,25
*86B.EX	8	15	65	86	12 X 1,5	12 X 1,25
*102B.EX	8	15	81	102	12 X 1,5	12 X 1,25
*74F.EX	10	15	53	74	14 X 1,5	14 X 1,5
*86F.EX	10	15	65	86	14 X 1,5	14 X 1,5
*102F.EX	10	15	81	102	14 X 1,5	14 X 1,5
<a href="#">*77M.EX</a>	10	15	53	77	14 X 1,25	14 X 1,5
*86M.EX	10	15	65	86	14 X 1,25	14 X 1,5
*102M.EX	10	15	81	102	14 X 1,25	14 X 1,5
<a href="#">*76OP.EX</a>	8	15	55	76	12 X 1,5	12 X 1,5
*94OP.EX	8	15	73	94	12 X 1,5	12 X 1,5
*102OP.EX	8	15	81	102	12 X 1,5	12 X 1,5



Chiave a bussola (8 oppure 10mm) ed asta con quadro scorrevole comprese nel Kit di 20 colonnette. Esempio per ordinare : AIT.BOX.74A.EX (Minimo ordine 5 BOX)

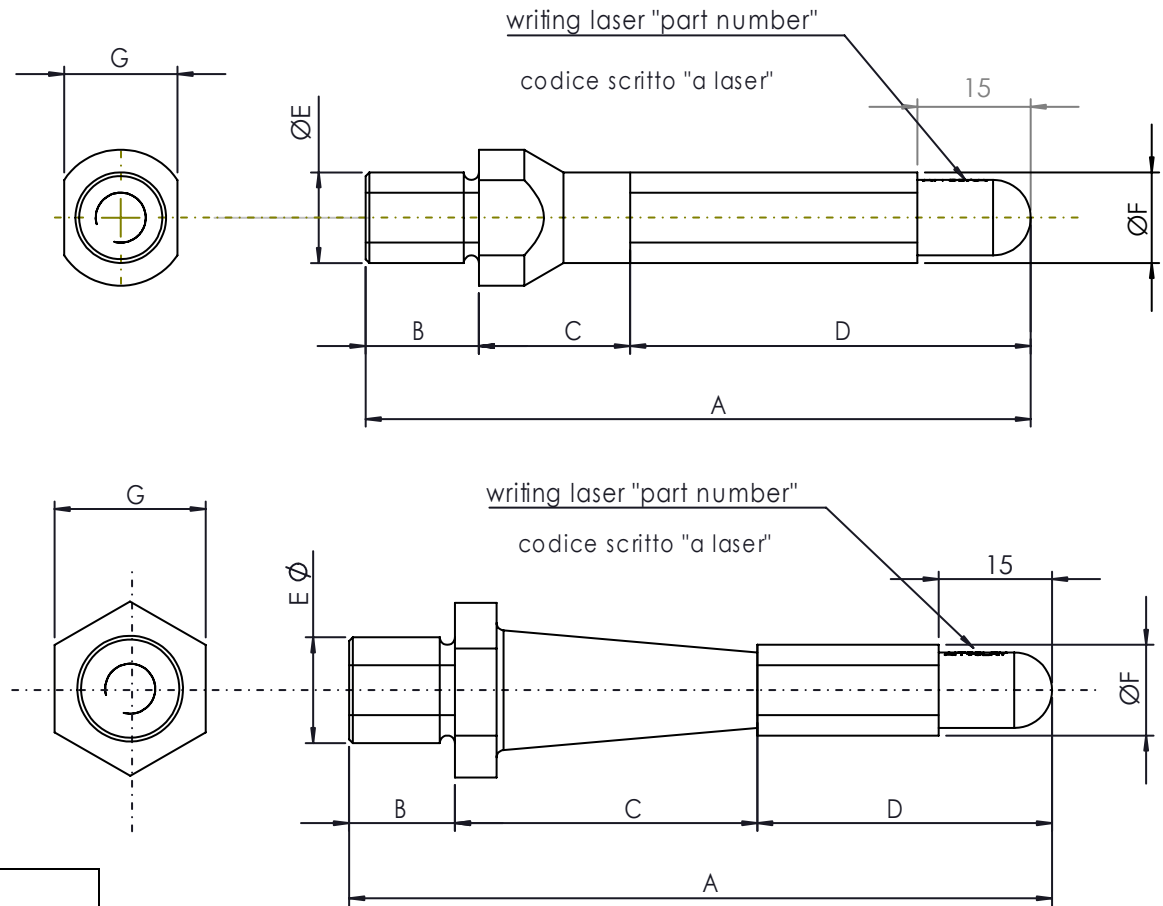
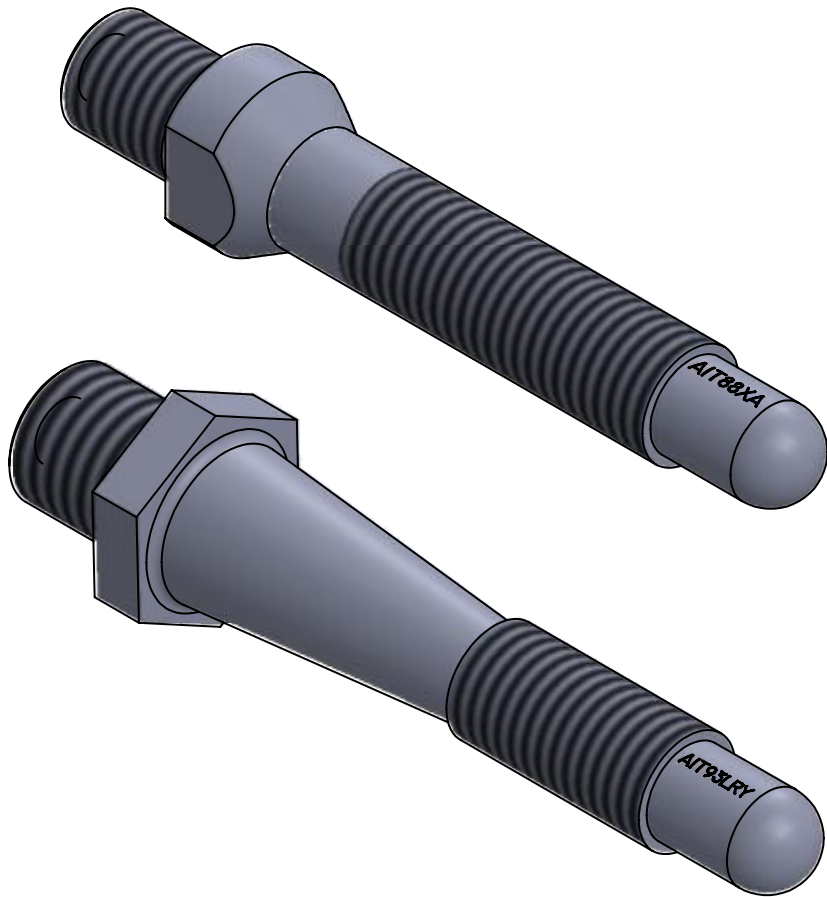
Square drive deep wall sockets (8 or 10mm) Studs. Reference to order

and Sliding T bar included in the kit of 20 in example : AIT.BOX.74A.EX (MOQ 5 BOX)

\* MOQ Minimum order quantity 100 pcs

\* MOQ Minimo ordinabile 100 pz

D	DATE	ORIGINAL VERSION	DESCRIPTION	DESIGNED	CHECKED	APPROVED
0	04/04/2017	ORIGINAL VERSION				
REV	DATE	DESCRIPTION	DESIGNED	CHECKED	APPROVED	
PFC.	WEIGHT	MATERIAL	Treatment			
		39NiCrM o3	OXIDATION BLACK COLOUR/ OSSIDAZIONE COLORE NERO			
DESCRIPTION			 advanced innovation technology			
<b>DOUBLE THREAD HEXAGONAL STUD PRIGIONIERO DOPPIO FILETTO CON SEDE PER CHIAVE ESAGONALE</b>						



## DOUBLE THREAD XAB STUD PRIGIONIERO DOPPIO FILETTO XAB

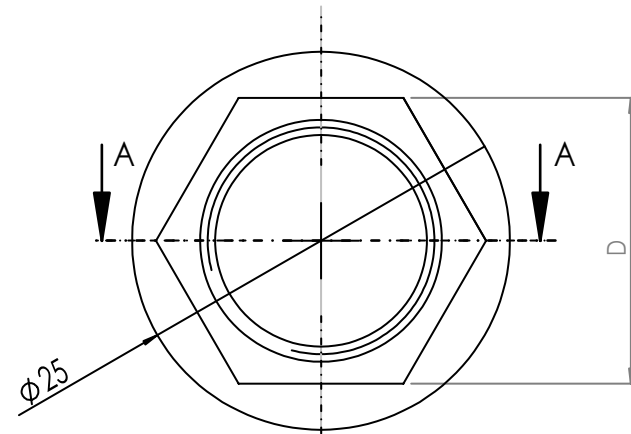
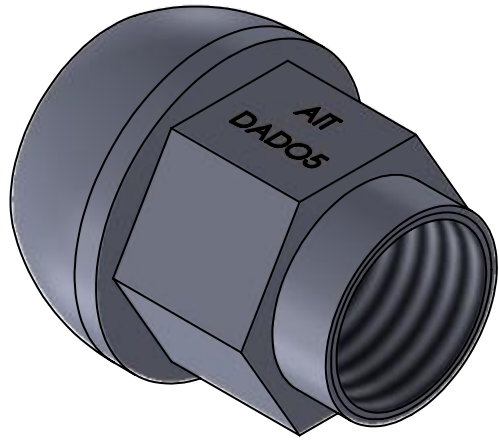
"OLD" Part number	"NEW" Part number	A	B	C	D	E	F	G
<a href="#">82XA</a>	<a href="#">*88XA</a>	88	13	12	63	12 X 1,25	12 X 1,25	18 X 1,5
<a href="#">82XB</a>	<a href="#">*88XB</a>	88	13	12	63	12 X 1,5	12 X 1,25	18 X 1,5
<a href="#">87LRY</a>	<a href="#">93LRY</a>	93	13	41	39	14 X 1,5	12 X 1,25	E20

The "OLD PART" available only for minimum order of 200 pcs  
 I codici "OLD PART" sono disponibili solo per ordini minimi di 200pz  
 \* MOQ Minimum order quantity 100 pcs  
 \* MOQ Minimo ordinabile 100 pz

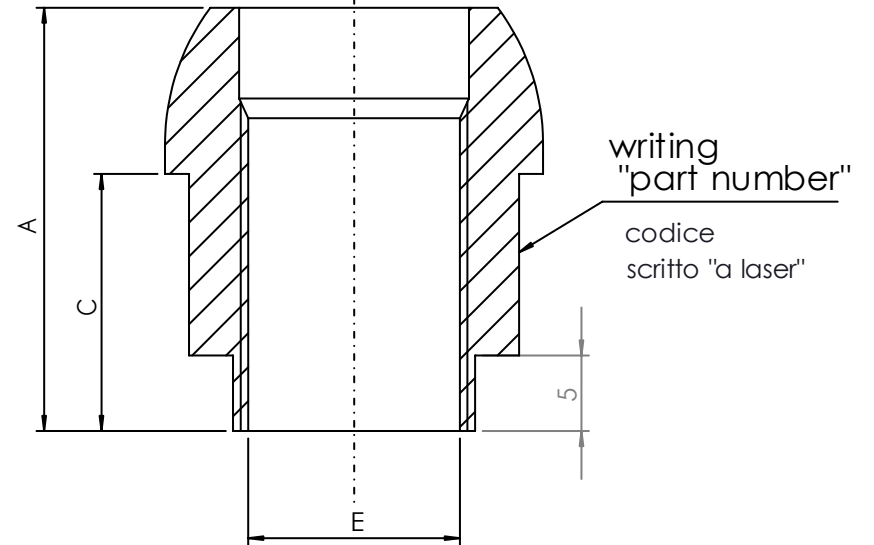
REV	DATE	DESCRIPTION	DESIGNED	CHECKED	APPROVED
0	04/04/2017	ORIGINAL VERSION			
1					
2					
3					
4					
5					
6					
7					
8					
9					
10					
11					
12					
13					
14					
15					
16					
17					
18					
19					
20					
21					
22					
23					
24					
25					
26					
27					
28					
29					
30					
31					
32					
33					
34					
35					
36					
37					
38					
39					
40					
41					
42					
43					
44					
45					
46					
47					
48					
49					
50					
51					
52					
53					
54					
55					
56					
57					
58					
59					
60					
61					
62					
63					
64					
65					
66					
67					
68					
69					
70					
71					
72					
73					
74					
75					
76					
77					
78					
79					
80					
81					
82					
83					
84					
85					
86					
87					
88					
89					
90					
91					
92					
93					
94					
95					
96					
97					
98					
99					
100					

DESCRIPTION  
**DOUBLE THREAD XAB STUD  
 PRIGIONIERO DOPPIO FILETTO XAB**






SEZIONE A-A



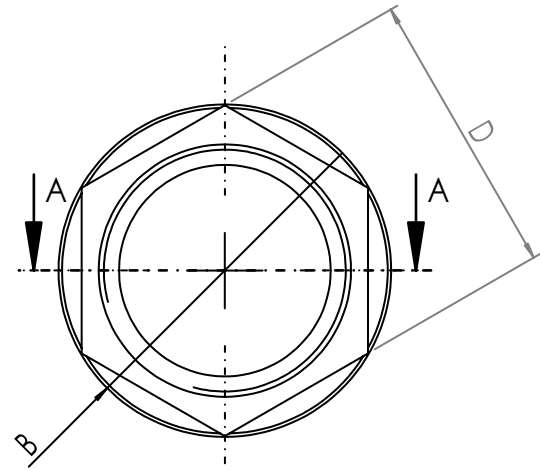
\* Treatment / Trattamento  
 Copper Plating / Ramato  
 Black Deep Anodizing / Ossidazione profonda nero lucida

SPHERICAL SEAT NUT / DADO SEDE SFERICA							
Part number	A	B	C	D	E	Material	* Treatment/ Trattamento
<a href="#">DADO5</a>	28	25	17	19	14 X 1.5	11SMnPb37	Copper Plating
<a href="#">DADO7</a>	27	25	17	17	12 X 1.25	11SMnPb37	Copper Plating
<a href="#">DADO8</a>	27	25	15	17	12 X 1.25	11SMnPb37	Copper Plating
<a href="#">DADO19</a>	27	25	17.5	17	12 X 1.5	11SMnPb37	Copper Plating
<a href="#">DAAL8</a>	31	25	20	19	14 X 1.5	Ergal	Anodizing

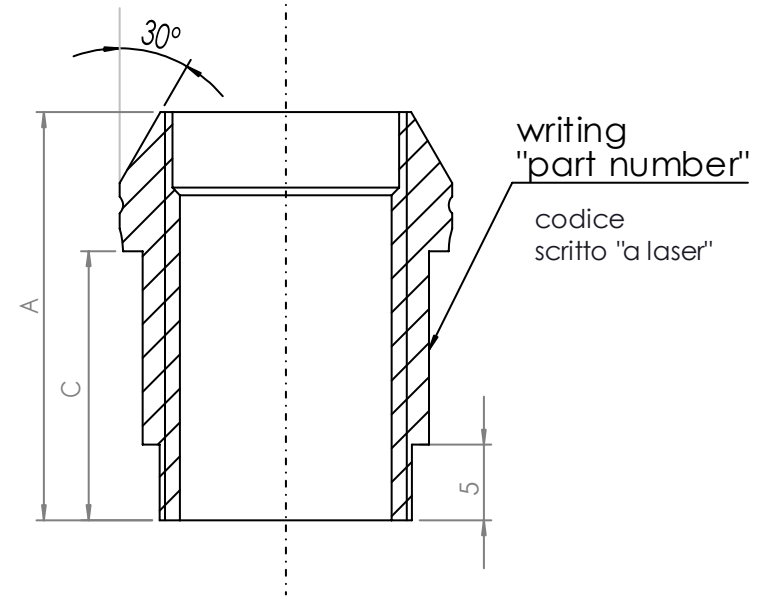
REV		DATE	DESCRIPTION	DESIGNED	CHECKED	APPROVED
PFC.		WEIGHT	MATERIAL	Treatment		
			SEE TABLE / VEDI TABELLA	SEE TABLE / VEDI TABELLA		
DESCRIPTION						
<b>SPHERICAL SEAT NUT</b>						
<b>DADO SEDE SFERICA</b>						
						 advanced innovation technology



\* Treatment / Trattamento  
 Copper Plating / Ramato  
 Black Deep Anodizing / Ossidazione profonda nero lucida  
 \* MOQ Minimum order quantity 100 pcs  
 \* MOQ Minimo ordinabile 100 pz



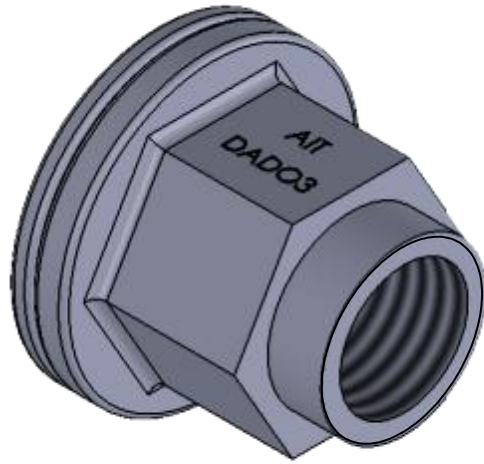
SEZIONE A-A



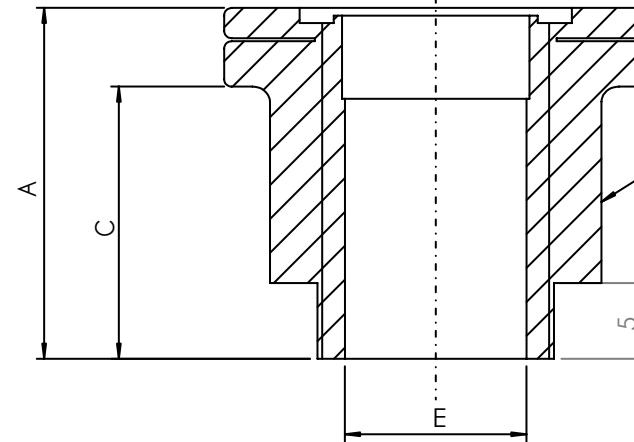
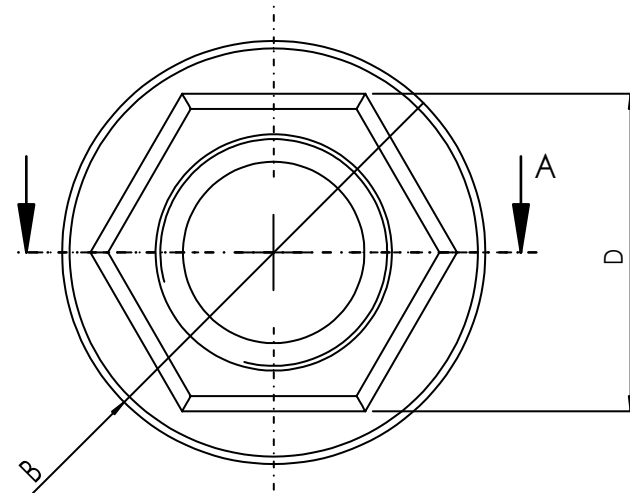
### CONICAL SEAT NUT / DADO SEDE CONICA

Part number	A	B	C	D	E	Material	* Treatment / Trattamento
<a href="#">DADO</a>	25	23	14	19	12 x 1,25	11SMnPb37	Copper Plating
<a href="#">DADO1</a>	25	23	14	19	12 x 1,5	11SMnPb37	Copper Plating
<a href="#">DADO2</a>	28	28	13	19	12 x 1,5	11SMnPb37	Copper Plating
<a href="#">DADO4</a>	27	25	16	22	14 x 1,5	11SMnPb37	Copper Plating
<a href="#">DADO6</a>	27	25	16	19	14 x 1,5	11SMnPb37	Copper Plating
<a href="#">DADO9</a>	27	25	15	17	12 x 1,25	11SMnPb37	Copper Plating
<a href="#">DADO10</a>	30	23	20	19	12 x 1,5	11SMnPb37	Copper Plating
<a href="#">DADO11</a>	30	23	20	19	12 x 1,25	11SMnPb37	Copper Plating
<a href="#">DADO12</a>	28.5	28	16	19	12 x 1,5	11SMnPb37	Copper Plating
<b>*DADO15</b>	27	25	16	3/4"	1/2UNF	11SMnPb37	Copper Plating
<a href="#">DADO18</a>	25	23	15.5	17	12 X 1,5	11SMnPb37	Copper Plating
<a href="#">DAAL</a>	27	22	19	19	12 X 1,25	Ergal	Anodizing
<a href="#">DAAL1</a>	27	22	19	19	12 X 1,5	Ergal	Anodizing
<a href="#">DAAL2</a>	34	22	20	19	12 X 1,25	Ergal	Anodizing
<a href="#">DAAL3</a>	34	22	20	19	12 X 1,5	Ergal	Anodizing
<a href="#">DAAL6</a>	27	25	16	19	14 X 1,5	Ergal	Anodizing
<a href="#">DAAL11</a>	28	28	13	19	12 X 1,5	Ergal	Anodizing
<a href="#">DAAL15</a>	27	25	16	3/4"	1/2 UNF	Ergal	Anodizing

0	04/04/2017	ORIGINAL VERSION			
REV.	DATE	DESCRIPTION	DESIGNED	CHECKED	APPROVED
PFC.	WEIGHT	MATERIAL	SEE TABLE / VEDI TABELLA		Treatment
		SEE TABLE / VEDI TABELLA			
DESCRIPTION					
<b>CONICAL SEAT NUT</b> <b>DADO SEDE CONICA</b>					



SEZIONE A-A



writing  
"part number"  
codice  
scritto "a laser"

\* Treatment / Trattamento  
Copper Plating / Ramato

**FLAT SEAT NUT / DADO SEDE PIATTA**

Part number	A	B	C	D	E	Material	* Treatment/ Trattamento
<a href="#">DADO3</a>	29	28	21	19	12 x 1.25	11SMnPb37	Copper Plating

0	04/04/2017	ORIGINAL VERSION			
REV	DATE	DESCRIPTION	DESIGNED	CHECKED	APPROVED
PFC.	WEIGHT	MATERIAL	SEE TABLE / VEDI TABELLA		Treatment
			SEE TABLE / VEDI TABELLA		

DESCRIPTION  
**FLAT SEAT NUT**  
**DADO SEDE PIATTA**

