



Revotec



AUTOMOTIVE COOLING SPECIALIST

GENERAL

These conditions of sale are the only terms on which Revotec ["The Company"] shall sell its Goods ["The Goods"]. A Contract ["the Contract"] shall be made when a Buyer ["The Buyer"] places an order with the Company. By placing an order the Buyer agrees the Company's Terms and Conditions are the only ones which shall apply to the Contract. No person acting or purporting to act on the Company's behalf has any authority to vary the terms of the Contract with the Buyer or waive any of the Company's rights under such Contract orally, and no such variation or waiver shall have any effect unless it is in writing and signed on the Company's behalf. All Contracts for the sale of Goods by the Company shall be governed by the Laws of England.

2. AVAILABILITY AND DELIVERY

Acceptance of the Buyer's order is subject to supplies being available and unsold, and the Company shall have the right to cancel or delay delivery or to reduce the amount delivered if the Company is prevented from or hindered or delayed in delivering by the normal route or means of delivery, Goods of the description comprising the order through any circumstances beyond the Company's control, including but not limited to strikes, lock-outs, accident, war, fire or shortage or unavailability of the Goods or parts thereof from the Company's normal sources or routes of supply.

3. CANCELLATION

Once accepted by the Company an order cannot be cancelled, deferred or altered by the Buyer except with the Company's agreement in writing.

4. RISK AND TITLE

The risk of loss or deterioration of or damage to the Goods shall be borne by the Buyer from the point of delivery to the Buyer or the Buyer's Agents. In the absence of written advice from the Buyer to the carrier concerned and to the Company in accordance with condition 5 below, the Goods shall be deemed to have been delivered and accepted by the Buyer complete and in a satisfactory condition. In addition, in the event that any of the Goods are re-sold before such payment in full has been made, we shall be beneficially entitled to the proceeds thereof or to the Buyer's claim for such proceeds. Legal ownership of the Goods shall pass to the Buyer only upon payment in full of the price of the Goods and any other sums due under the Contract and any other sum due to the Company from the Buyer. After the due date for payment of the above sums has expired or until payment is made in full, the Company may re-possess and re-sell the goods.

The Buyer shall hold the Goods as our bailee until payment in full under these conditions has been made. Notwithstanding anything to the contrary in these conditions, where a Buyer takes the Goods on trial or approval, such Goods remain the property of the Company absolutely, and the Buyer shall deliver up such Goods on demand.

5. LOSS, DAMAGE AND NON-DELIVERY

The Company cannot accept any responsibility for loss, non-delivery or deterioration of or damage to all or any Goods comprising an order in transit to the point of delivery unless the following conditions have been strictly observed by the Buyer.

[A] Where loss or non-delivery of the whole consignment of Goods is alleged, the Buyer must have advised the Company in writing within five days of the date of despatch of the Goods.

[B] In any other case the Buyer must have advised the carrier and the Company in writing [and a mere qualified signature on the carrier's note will not be deemed to constitute advice to the carrier in writing for this purpose] giving full details of the circumstances alleged within five days of the actual date of delivery of the consignment or part consignment of the Goods concerned.

6. FAILURE TO ACCEPT DELIVERY

In the event that the Buyer is unable or unwilling to accept delivery of any of the Goods on or at any time following the latest agreed delivery date, the Company shall be entitled to arrange for or provide storage and insurance of the Goods concerned as it thinks appropriate at the Buyer's expense. Where the Company itself provides such storage, it shall be entitled to charge the Buyer at its standard rates of storage for the time being in force. The appropriation or despatch of any of the Goods for storage in accordance with this condition shall be deemed to constitute their delivery to the Buyer for the purposes of payment and otherwise.

7. PRICES AND PAYMENT

The price of the Goods will be subject to adjustment to that ruling on the date of despatch from the Company's works, and is exclusive of Value Added Tax or any other tax or levy on the supply of the Goods, which will be charged extra. Unless otherwise agreed any sums due to the Company in respect of the Goods will be payable net cash in full 30 days from the date of invoice. In default of payment of any such sums within that period, the Company will be entitled to charge interest on the amount outstanding at the rate of 3% over the base rate for the time being of Lloyds Bank PLC, or 8%, whichever is the greater. Where discount is offered for prompt payment this may only be taken if there are no overdue balances outstanding on the account. The Buyer shall not be entitled to delay payment in the event of any dispute relating to quality or performance of the Goods unless the Company has accepted liability.

8. FAILURE TO PAY

Should the Buyer go into receivership, liquidation or become bankrupt whilst owing unpaid Contract debts to the Company, or should the Buyer fail to pay any invoice by the due date, the Company shall have the right to re-possess Goods supplied by it to the extent of the amount outstanding. For this purpose the Buyer for itself, its receivers, managers, liquidators or trustees in bankruptcy grant to the Company an irrevocable licence to enter the Buyer's premises for the purpose of search and re-possession of the Goods. The Buyer hereby assigns to the Company the benefit of any insurance claim which the Buyer may make in respect of any Goods supplied by the Company which have not been paid for in full.

9. LIABILITY

In the event of any of the Goods proving to our satisfaction to be defective as a result of faulty design, materials or workmanship, the Buyer has reported the alleged defect to the Company in writing within 3 months of date of delivery, and has where applicable given the Company a reasonable opportunity to investigate the alleged defect before the remainder of the consignment of the Goods concerned is used or returned, the Company will at its option either replace the defective Goods or reimburse the price paid by the Buyer for the Goods. Where damage is limited to packaging this must be reported to the Company within 5 days of delivery. Except as aforesaid, all conditions, warranties and representations whether expressed or implied, statutory or otherwise in relation to the Goods are hereby excluded and, in addition the Company shall not be liable for any loss or damage [including costs] however caused, whether directly or consequentially incurred or suffered by the Buyer in relation to the supply of the Goods [including, but without prejudice to the generality of the foregoing, damages for personal injuries].

10. RETURNS

No Goods may be returned to the Company without the Buyer having completed a 'Returns Authorisation Note' and receiving the Company's written authority for such return. The Company reserves the right not to accept delivery of any Goods unless this condition has been complied with. Furthermore, undamaged Goods returned as a result of ordering error will be subject to a minimum re-stocking charge of 10% of the value of such Goods. The cost of all freight and other charges will be borne by the Buyer.

Comex 50 Series Motor Fans & Motorcycle Fans	1
Comex Stock Cooling Fans	2
Universal Fan Fitting Accessories	3
Fan Fitting Accessories	4
Electronic Fan Controllers	5
Electronic Fan Controller Accessories	6
Retrofit Classic Car Cooling Kits	7
Retrofit Land Rover Cooling Kits	8
Inline Blower Fans	9
Time Delay Control	10
Flexible Ducting	11
Air Hose Reducers	12
Flexible Ducting Accessories	13
Air Inlets	14
Intake Ducts	15,16 &17
Side Air Scoops	18
GT Scoops	19
NACA & Vehicle Specific Ducts	20
Self Sealing Fittings	21
Hose Adapters	22
Hose Adapter Take Offs & Hose Joiners	23
Senders & Gauge Mounts	24
Oil Cooler Ducts & Fuel Pump Mounts	25
Cable Accessories	26
Rooftop Vents & Radial Fans	27
Bespoke Products & Services	28
Fan Sizing Guide	29
Commodity/HS codes	30

New small diameter motors (82mm). Gives increased cooling efficiency sealed ball bearings, waterproof to IP68, lightweight, high performance, balanced

Blade Diameter	Finger Guard	Part No	Depth	Airflow m ³ /h	Current Amps	Shroud Type
5" (130mm) Suction		FAN0838	62.5mm	410	4.0	F84
5" (130mm) Suction	✓	FAN0836	62.5mm	350	4.2	F83
5" (130mm) Suction		FAN0839	62.5mm	450	5.0	F84
5" (130mm) Suction	✓	FAN0837	62.5mm	400	5.5	F83
5.5" (140mm) Suction		FAN0834	62.5mm	450	3.4	F82
5.5" (140mm) Suction	✓	FAN0832	62.5mm	390	3.7	F81
5.5" (140mm) Suction		FAN0835	62.5mm	530	5.1	F82
5.5" (140mm) Suction	✓	FAN0833	62.5mm	450	5.3	F81
6.5" (167mm) Suction		FAN0842	64.0mm	630	3.5	F79
6.5" (167mm) Blowing		FAN0841	64.0mm	530	3.0	F79
6.5" (167mm) Suction	✓	FAN0766	64.0mm	600	3.5	F78
6.5" (167mm) Blowing	✓	FAN0840	64.0mm	520	3.2	F78
7.5" (190mm) Suction		FAN0844	64.0mm	770	4.4	F76
7.5" (190mm) Blowing		FAN0843	64.0mm	700	4.0	F76



Ideal for:

- * Oil coolers & small radiators
- * Battery cooling
- * Electronic device cooling
- * Electronic compartments cooling
- * Motorcycle cooling systems
- * Special vehicles cooling systems
- * Small HVAC units
- * Engine compartment heat removal
- * Ventilation of small spaces

COMEX Motorcycle Fans

Blade Diameter	Part No	Depth	Airflow m ³ /h	Current Amps	Shroud Type
4" (100mm) Suction	F34-12C004-14S	73.0mm	230	2.0	F34
4.7" (120mm) Suction	F33-12C004-07S	73.0mm	370	2.7	F33
4.7" (120mm) Blowing	F33-12C004-07B	73.0mm	350	2.5	F33
4.7" (120mm) Suction (Shrouded)	F24-12C004-07S	73.0mm	390	2.8	F24
4.7" (120mm) Blowing (Shrouded)	F24-12C004-07B	73.0mm	310	2.6	F24
5" (130mm) Suction	F02-12C001-01S	73.0mm	470	2.3	F02
5" (130mm) Blowing	F02-12C001-01B	73.0mm	480	2.5	F02

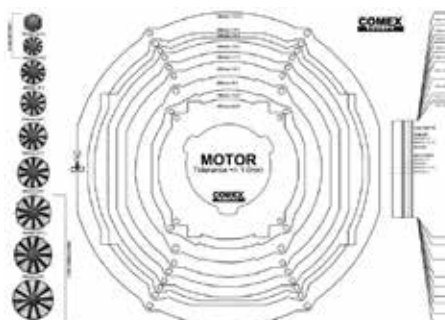


Free Fitting Template

Revotec are pleased to offer a free fan fitting template.

Simply use a pair of scissors to cut around the desired size and hold to your radiator for an accurate fitting guide. A2 in size.

To order email: sales@revotec.com



Fan Male Connector Kit

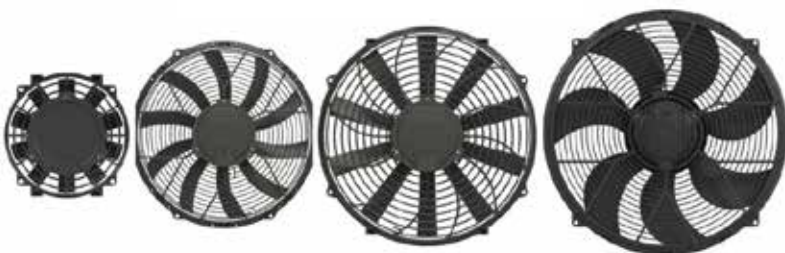
RTB02

C/W 2x uninsulated terminals



Blade Diameter	Part No	Slimline	High Power	Very High Power	Depth	Airflow m ³ /h	Current Amps	Shroud Type
6.5" (167mm) Suction	FAN0329	✓			59mm	560	7.8	F43
6.5" (167mm) Blowing	FAN0326	✓			59mm	450	7.8	F43
7.5" (190mm) Suction	FAN0091	✓			53mm	700	5.9	F29P
7.5" (190mm) Blowing	FAN0092	✓			53mm	660	5.8	F29P
9" (225mm) Suction	FAN0608	✓			53mm	1010	5.7	F26P
9" (225mm) Blowing	FAN0127	✓			53mm	1030	7.0	F26P
9" (225mm) Suction	FAN0605HP		✓		64mm	1040	6.6	F26P
9" (225mm) Blowing	FAN0610HP		✓		64mm	1240	9.5	F26P
10" (255mm) Suction	FAN0220	✓			55mm	1440	6.8	F31P
10" (255mm) Blowing	FAN0221	✓			55mm	1340	6.5	F31P
10" (255mm) Suction	FAN0193HP		✓		66mm	1760	11.8	F31P
10" (255mm) Blowing	FAN0212HP		✓		66mm	1670	12.0	F31P
11" (280mm) Suction	FAN0089	✓			53mm	1620	7.9	F07P
11" (280mm) Blowing	FAN0110	✓			53mm	1650	7.7	F07P
11" (280mm) Suction	FAN0153HP		✓		64mm	1750	9.4	F07P
11" (280mm) Blowing	FAN0336HP		✓		64mm	1720	9.3	F07P
12" (305mm) Suction	FAN0606	✓			53mm	1580	6.2	F27P
12" (305mm) Blowing	FAN0056	✓			53mm	1860	7.2	F27P
12" (305mm) Suction	FAN0607HP		✓		64mm	1990	11.0	F27P
12" (305mm) Blowing	FAN0166HP		✓		64mm	2120	10.9	F27P
13" (330mm) Suction	FAN0429HP		✓		69.5mm	2390	9.2	F53
13" (330mm) Blowing	FAN0430HP		✓		69.5mm	2300	8.7	F53
14" (350mm) Suction	FAN0434	✓			58mm	2060	6.3	F42
14" (350mm) Blowing	FAN0435	✓			58mm	2010	6.3	F42
14" (350mm) Suction	FAN0423HP		✓		69.5mm	2540	9.6	F42
14" (350mm) Blowing	FAN0433HP		✓		69.5mm	2300	9.1	F42
14" (350mm) Suction	FAN0419VHP			✓	93.5mm	2860	14.4	F42
14" (350mm) Blowing	FAN0726VHP			✓	93.5mm	3100	16.5	F73
15.2" (385mm) Suction	FAN0349HP		✓		80mm	3030	9.9	F30P
15.2" (385mm) Blowing	FAN0445HP		✓		80mm	2920	9.5	F30P
15.2" (385mm) Suction	FAN0150VHP			✓	93mm	3770	18.6	F30P
15.2" (385mm) Blowing	FAN0151VHP			✓	93mm	3810	19.0	F30P
16.5" (420mm) Suction	FAN0742HP		✓		97.5mm	3390	16.3	F77
16.5" (420mm) Suction	FAN0743VHP			✓	115.5mm	3520	16.5	F77

← Available blade diameters 6.5" to 16.5" →



All COMEX fans are high airflow with minimal current draw & depth.

- * OE quality & reliability
- * Sealed ball bearings
- * Water & dust proof to IP68
- * Fully balanced
- * Low profile & noise
- * Lightweight

To determine the largest fan size possible on an application refer to the fan sizing guide on page 29

Universal Brackets

Laser cut brackets enabling simple and easy fitting of any Revotec / COMEX fan. Simply bend or cut and fix to radiator mounting.

Supplied in pairs complete with fan to bracket fixing kit.

Leg length approximately 200mm.

Available in aluminium or steel.

Fan Size	Aluminium Part No	Steel Part No
7.5" (190mm)	FB190	FBS190
9" (225mm)	FB225	FBS225
10" (255mm)	FB255	FBS255
11" (280mm)	FB280	FBS280
12" (305mm)	FB305	FBS305
13" (330mm)	FB330	FBS330
14" (350mm)	FB350	FBS350
15.2" (385mm)	FB385	FBS385
16.5" (420mm)	FB420	FBS420



Flush Mounts

Ideal for mounting a fan flush (just 1mm away) on to a radiator core with no damage.

Each flush mount kit is supplied with: 2x flush mounts, 4x M6 nyloc nuts and 4x M6 washers.



Fan Size	Part No
7.5" (190mm)	FM190
9" (225mm)	FM225
10" (255mm)	FM255
11" (280mm)	FM280
12" (305mm)	FM305
13" (330mm)	FM330
14" (350mm)	FM350
15.2" (385mm)	FM385

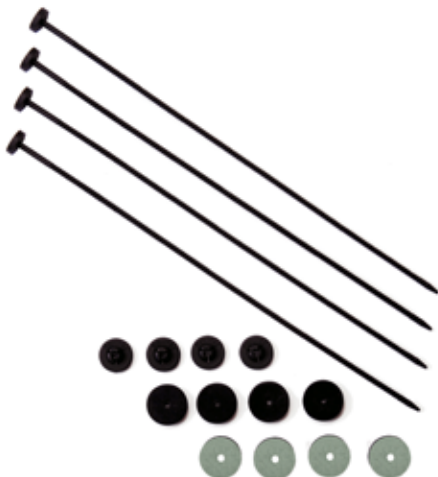
Fan Pull Through Kits

FPK01

Pull through kits are an ideal quick fix solution.

Perfect for motorsport applications or for fans under 12".

Each kit is supplied with: 4x pull throughs, 4x 3mm rubber washers, 4x foam pads & 4x push on buttons.



Earth & Fan Connector Kit

EARTH



Makes terminating a Revotec fan easy.

Each kit is supplied with: 1m of black 1.5mm cable, male fan terminal, cable ties and all crimps required.



In-line Fuse

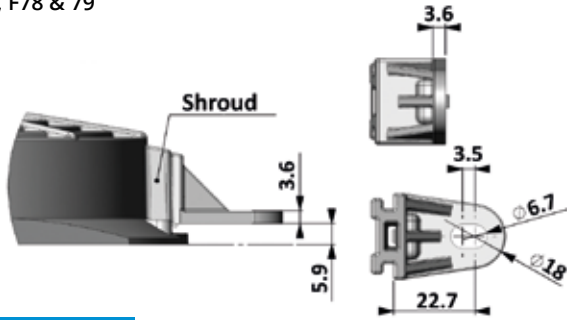
IFK

Individual fuse holder, accepts blade fuses.

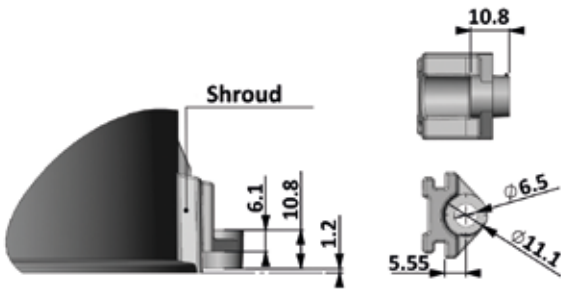
With built-in LED which glows when the fuse has blown. Also fitted with a lid to prevent water ingress.



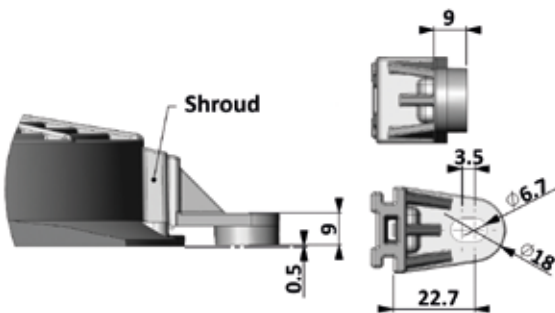
Suitable for fan shrouds: F29P, F26P, F31P, F07P, F27P, F30P, F73 F77, F78 & 79



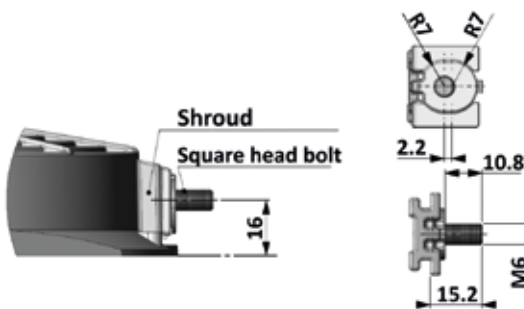
FF0001 Type L - 21.9mm x 3mm



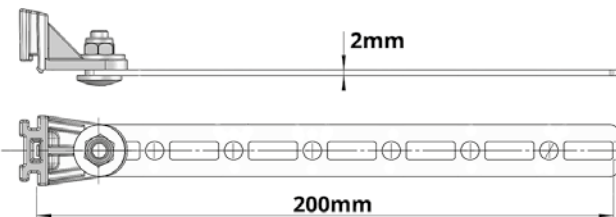
FF0004 Type L - 5.5mm x 10.8mm



FF0005 Type L - 21.9mm x 9mm



FF00018 Type H - Bracket & square head bolt



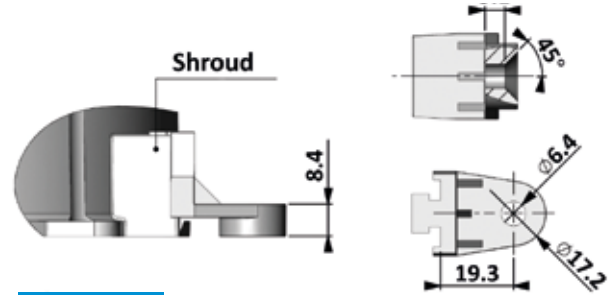
FMK02 Fan Mounting Kit

Universal metal fan mount strap with fan foot and bolt. Can be cut to length.

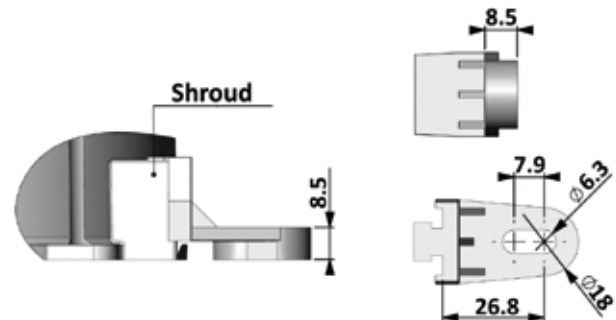


Fan Feet

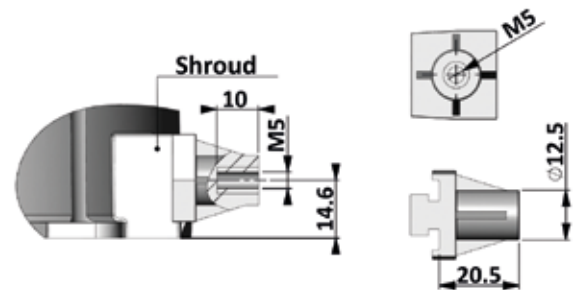
Suitable for fan shrouds: F42, F43 & F53



FF00013 Type L - 22mm x 8.4mm



FF00014 Type L - 22mm x 8.7mm



FF00015 Type L - 27mm x 12.6mm





Revotec's adjustable electronic fan controller (EFC) will work with any 12 volt DC fan. Simply fitted in-line to a water hose. (24 volt version available to special order). Supplied with: integral loom with 30 amp relay, dust cap, adjustment tool and hose clips where required.

Adjustable temperature range of approximately 70-120°C (150-250°F).

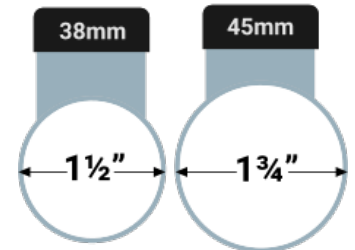
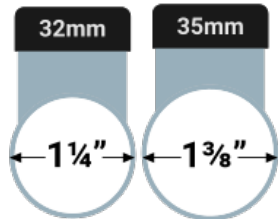
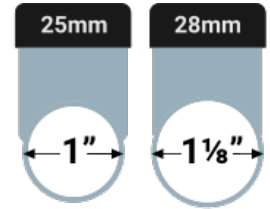
Will switch on a fan at a pre-set temperature and automatically switch off when the coolant temperature decreases by approximately 3°C

Available in a range of fittings as either negative or positive earth.

- * Instant response
- * No interruption to waterflow
- * Simple to install with no leaks
- * Only 3 wires to connect

Hose Fitting Type

Hose Internal Diameter	Negative Earth Part No	Positive Earth Part No
25mm ID Hose	EFC25	EFC25-PE
28mm ID Hose	EFC28	EFC28-PE
32mm ID Hose	EFC32	EFC32-PE
35mm ID Hose	EFC35	EFC35-PE
35mm ID Hose with extended loom for Land Rover	EFC35LR	
38mm ID Hose	EFC38	EFC38-PE
45mm ID Hose	EFC45	EFC45-PE

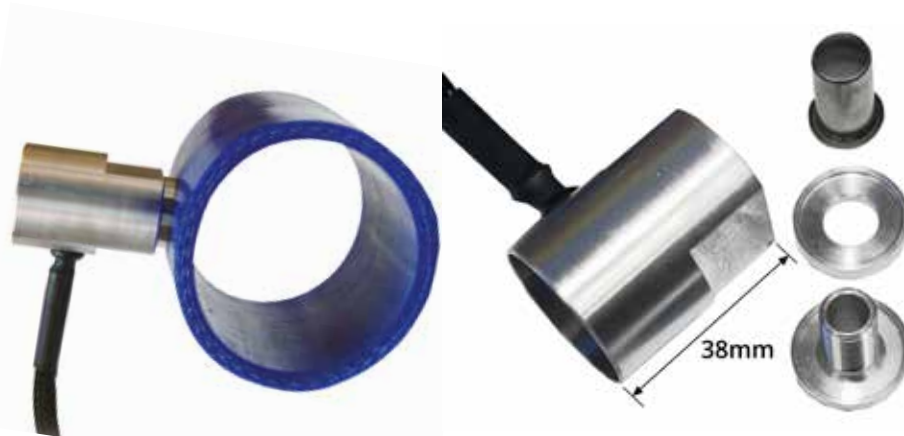


Thread Fitting Type

Thread Diameter	Negative Earth Part No	Positive Earth Part No
M22 x 1.5 External Thread	EFCM22	EFCM22-PE
M14 x 1.5 External Thread	EFCM14	EFCM14-PE
3/8 BSP External Thread	EFC3/8BSP-EXT	EFC3/8BSP-EXT-PE
1/8 NPT External Thread	EFC1/8NPT-EXT	EFC1/8NPT-EXT-PE

Weld On Bosses

Thread Diameter	O/D	Aluminium Part No	Brass Part No
M22 x 1.5 Internal Thread	38mm	M22BA	M22BB
M14 x 1.5 Internal Thread	30mm	M14BA	M14BB



Self Sealing Fitting Type

Polarity	Part No
Negative Earth	EFC-SST
Positive Earth	EFC-SST-PE

For applications where a hose or threaded type cannot be used, such as short or large bore water hoses.

Supplied complete with a one use hole punch.

Manual Override Switches

All for use with any Revotec electronic fan Controller or fan installation kit (FIK01)



3 Way

SW-BLK

3 Way rotary switch for use with a Revotec fan controller enabling the fan to be manually controlled either on, off or automatic. Perfect for 4x4 applications such as wading.

Supplied with:

Black anodised mounting bracket kit, switch position decal, sealed 3m wiring loom and connection diagram.

2 Way

2 Way rocker switch for use with a Revotec fan controller enabling the fan to be manually controlled either on or automatic, allowing you to override your controller. Or for use in conjunction with our fan installation kit (FIK01) to simply turn an electric fan on or off.

Supplied with:

Rocker switch, black anodised mounting bracket, retro and modern style decals, wiring crimps, mounting screws and connection diagram.



ORS-MOD

2 Way modern rocker override switch



ORS-CLA

2 Way classic Smiths style toggle override switch



ORS-JAG

2 Way Jaguar style toggle override switch

Silicone Hose Kits

Created to ease the installation of a Revotec fan controller. 300mm (12") straight section of silicone hose which can be cut to length and includes 2 x stainless steel hose clamps.



Hose Diameter	Part No
Hose Kit 28mm ID X 300mm Lg 3 ply	SHK28
Hose Kit 32mm ID X 300mm Lg 3 ply	SHK32
Hose Kit 35mm ID X 300mm Lg 3 ply	SHK35
Hose Kit 38mm ID X 300mm Lg 3 ply	SHK38

MGA/MGB Replacement Top Hose Kit

B-MG-TH

A convoluted top hose replacement kit to be used with a Revotec fan controller when upgrading an MGA or MGB. (Supplied complete with the B-MGA & B-MGB62-76 Cooling Kits)



Fan Installation Kit

FIK01

Perfect when installing a fan without a Revotec fan controller. When operation by a manual switch is required.

Supplied with:

Earth kit, FPK01(quick fan mount), tie wraps, 30 Amp relay and pre-wired 1m loom.





The latest fan controller technology used together with vehicle specific brackets, for the ultimate cooling package.

Revotec's retrofit cooling kits have been carefully developed to provide perfect cooling for your classic car.

Overcoming all mechanical fan shortcomings, upgrading to an electric fan increases fuel economy, reduces engine warm-up time and ensures sufficient engine cooling and protection in modern traffic conditions.

Revotec Cooling Kits Feature 3 Major Elements:

1: Revotec Electric Fan Controller

- * Adjustable temperature range of 150-250°F (70-120°C)
- * Instant response
- * No interruption to water flow
- * Simple to install with no leaks!
- * Only 3 wires to connect



2: COMEX Electric Fan

- * Lightweight, slimline body
- * Low noise
- * Finger guard
- * Balanced blades
- * High output, long-life design
- * Rated to run continuously
- * Waterproofed to IP68



3: Fan Mounting Kit

- * No permanent modifications required
- * Vehicle specific brackets
- * Laser cut
- * Engineered to fit perfectly
- * Fitting kit which includes all necessary fittings



Application	Negative Earth Part No	Positive Earth Part No
Austin Healey		
Austin Healey 100/4	B-AH-100/4	B-AH-100/4-PE
Austin Healey 3000	B-AH3000	B-AH3000-PE
Daimler		
Dart	B-DART	B-DART-PE
V8-250	B-DAIM-V8-250	B-DAIM-V8-250-PE
Ford		
Escort MK2 10" Blowing	B-ESC10B	
Escort MK2 10" Suction	B-ESC10S	
Escort MK2 12" Blowing	B-ESC12B	
Escort MK2 12" Suction	B-ESC12S	
Cortina	B-TINA	
Jaguar		
E-Type Series 1	B-JET-S1	B-JET-S1-PE
E-Type Series 2	B-JET-S2	
E-Type Series 3	B-JET-S3	
MKII	B-MKII	B-MKII-PE
S-Type	B-JSTYPE	B-JSTYPE-PE
XK120*	B-JXK120	B-JXK120-PE
XK140	B-JXK140	B-JXK140-PE
XK150	B-JXK150	B-JXK150-PE
Lotus		
Elan (Single)	B-L-ELAN-NR	
Elan (Twin)	B-L-ELAN-WRB	
MG		
MGA	B-MGA	B-MGA-PE
MGB 1962-76	B-MGB62-76	B-MGB62-76-PE
MGB 1976-80	B-MGB76-80	
MGB V8	B-MGBV8	
MGC	B-MGC	
Midget Vertical Flow*	B-SMG-VERT	B-SMG-VERT-PE
Midget 1275	B-SMG-1275	B-SMG-1275-PE
Midget 1500	B-SMG-1500	
Mini		
Classic 1959-97	B-MINI59-97	
Morris		
Minor	B-MM	B-MM-PE
Triumph		
Herald	B-TR-HD	B-TR-HD-PE
GT6	B-GT6	
Stag	B-STAG-BRK	
Spitfire 16 Row	B-SPIT-16N	B-SPIT-16N-PE
Spitfire 22 Row	B-SPIT-22W	B-SPIT-22W-PE
TR2, 3 & 4	B-TR2-4	B-TR2-4-PE
TR4A Blowing	B-TR4AB	B-TR4AB-PE
TR4A Suction	B-TR4AS	B-TR4AS-PE
TR5, TR6 Blowing	B-TR5-6B	
TR5, TR6 Suction	B-TR5-6S	
TR7	B-TR7	
Vitesse*	B-VITESSE	B-VITESSE-PE

* Denotes no brackets, fan fitted with supplied pull through kit. If you do not see your vehicle listed, please contact us.



Land Rover Series 2, 2A & 3

Application	Part No
Land Rover	
Series 2, 2A & 3	B-LRD--2/2A/3
Series 3 V8	B-LRD-S3V8
90/110	B-LRD-90-110
90/110 V8	B-LRD-90-110V8
200/300 TDI	B-LRD-TDI
TD5	B-LRD-TD5
Range Rover P38 Petrol	B-RR-P38PETROL
Range Rover P38 Diesel	B-RR-P38DIESEL
Range Rover Classic	B-RR-CLASSIC (Radiator dependant)

Direct Replacement Fans & Air Conditioning Fans

Application	Part No
Land Rover	
Discovery 2	AC-DIS2
Defender	AC-DEF
Jaguar	
XJS	AC-XJS
Mini	
SPI	B-MINI-SPI
MPI	B-MINI-MPI
Lotus	
Elan	B-LES



Replacement for Jaguar fan part no C38009
Including shroud and associated fixings.
Direct replacement for original obsolete NLA fan.
Required for aircon and supplementary cooling.



Mini MPI



Mini SPI



Land Rover Discovery 2



Land Rover Defender

Designed for the harsh motorsport environment, these highly efficient fans are constructed using lightweight anodised aluminium bodies and feature precision injection moulded balanced blades. The motors are fitted with electrical suppression and voltage stabilised for perfect operation and longevity.

Ideal for - driver and cockpit cooling, engine bay cooling, brake cooling, engine bay vapour and dust removal, blowers & heaters.



Typical cockpit cooling assembly

Description	Part No	Static Pressure Pa	Airflow m ³ /h	Current Amps	Blade Speed RPM
3" In-line Blower Fan 76mm Outlet	DF03	0	170	2.0	9560
4" In-line Blower Fan 102mm Outlet	DF04	0	247	1.5	6110



Flexible Aluminium Ducting

Manufactured from convoluted aluminium this ducting enables air to be directed where it is required and holds its shape once positioned. Ideal for use with Revotec in-line blower fans. Supplied in 1m lengths.

Ducting Diameter	Part No
51mm	AD51
63mm	AD63
76mm	AD76
89mm	AD89



Aluminium Finishing Rings

Designed to fit Revotec's aluminium ducting, these aluminium rings provide the perfect finish for the hose end. Finished in anodised black.

- 51mm
- 63mm

AFR51
AFR63



'Y' Splitter

Moulded Y piece to fit Revotec in-line blower fans, splitting the airflow allowing it to be directed to 2 different locations via ducting hose.

- To fit 3" blower fan with 2 x 51mm O/D outlets
- To fit 4" blower fan with 2 x 63mm O/D outlets

DFY3
DFY4



TDC01

An adjustable timed switch that can easily be pre-set by the operator to maintain power to a circuit or component for a set time. Typical use would be to run a fan, water pump or ignition at the end of race.

Designed and manufactured in the UK for the harsh automotive environment using high quality OEM parts. Features integral relay and bespoke engineered surface mount PCB with digital timer.

Specification:

- * Pre-set time delay
- * Variable time delay: up to 7 minutes
- * Switching capacity: 20 amp
- * Control supply voltage: 12Volt DC at only 5 mA
- * Simple push button control to start the timer
- * Ideal for controlling fans, motors, electric water pumps & heaters

Fitment:

Can be mounted to a flat surface or fixed using cable ties to a roll bar for example.



Single Layer Black Neoprene

Operating temperature - 50 c to +150 c.

Perfect for brake ducting. Flexible, light and very durable.

- * Single layer specially formulated neoprene coated glass fibre fabric
- * Bronze plated steel wire helix
- * Tight pitch for maximum flexibility
- * Single outer glass cord



Single Layer Red Silicone

Operating temperature - 80 c to +310 c.

Very flexible, light and excellent in high temperature environments.

- * Single layer silicone coated glass fibre fabric
- * Bronze plated steel wire helix
- * Tight pitch for maximum flexibility
- * Single outer glass cord



Dual Layer Red Silicone

Operating temperature - 80 c to +310 c.

Perfect for air intakes, provides maximum airflow. Kink resistant.

- * Dual layer silicone coated glass fibre fabric
- * Embedded bronze plated steel wire helix
- * Smooth bore even in bends minimising friction loss
- * Twin outer glass cord



Internal Diameter	Part No Single Layer Black	Part No Single Layer Red	Part No Dual Layer Red
25mm	025BLK	025R	
32mm	032BLK	032R	
38mm	038BLK	038R	038D
44mm	044BLK	044R	
51mm	051BLK	051R	051D
57mm	057BLK	057R	
60mm	060BLK	060R	
63mm	063BLK	063R	063D
65mm	065BLK	065R	
69mm	069BLK	069R	
76mm	076BLK	076R	076D
80mm	080BLK	080R	
82mm	082BLK	082R	
89mm	089BLK	089R	089D
102mm	102BLK	102R	102D
114mm	114BLK	114R	
127mm	127BLK	127R	
140mm	140BLK	140R	
152mm	152BLK	152R	
178mm	178BLK	178R	
203mm	203BLK	203R	

Manufactured in 4m lengths, available per meter

2 Step Hose Reducers

A range of aluminium reducers ideal for connecting air systems including ducting, filters and intercoolers. Suitable for welding or can be used as they are. Each reducer has a wall thickness of approximately 1.5mm and measures 80mm in length with flange lengths of 30mm at each end.

OD Reduction	Part No
Hose Reducer 60>50 OD	AR60>50
Hose Reducer 63>50 OD	AR63>50
Hose Reducer 63>60 OD	AR63>60
Hose Reducer 70>50 OD	AR70>50
Hose Reducer 70>60 OD	AR70>60
Hose Reducer 70>63 OD	AR70>63
Hose Reducer 76>60 OD	AR76>60
Hose Reducer 76>63 OD	AR76>63
Hose Reducer 76>70 OD	AR76>70
Hose Reducer 80>70 OD	AR80>70
Hose Reducer 89>70 OD	AR89>70
Hose Reducer 89>76 OD	AR89>76
Hose Reducer 89>80 OD	AR89>80
Hose Reducer 102>76 OD	AR102>76
Hose Reducer 102>89 OD	AR102>89
Hose Reducer 114>89 OD	AR114>89



3 Step Hose Reducers

Each reducer steps down in three increments, with each diameter. Each section is 40mm in length. End sections can easily be removed if a two step reducer is required. Each reducer has a wall thickness of approximately 1.5mm

OD Reduction	Part No
Hose Reducer 76>63>51 OD	AHR76-51
Hose Reducer 89>76>63 OD	AHR89-63
Hose Reducer 102>89>76 OD	AHR102-76



Aluminium Donuts

For fabrication of air intake systems and intercooler pipework where tight radius bends are required.

Donut can be cut into whatever angle is needed and the two halves then welded.

Made in: 1.5mm aluminium (16 SWG) weldable H14.

Supplied in pairs (two halves).

Available in 3 sizes:

Final Tube O/D	Donut O/D	Donut I/D	Centre Line Radius	Part No
51mm	127	25	51	D51
63mm	159	33	63	D63
76mm	190	38	76	D76

(Note : Dimension tolerances = +/- 0.5mm)



Ducting Mounts

An engineered solution for securely mounting ducting. Pressed and shaped in aluminium to securely fix and hold ducting with no damage. Anodised black and supplied individually complete with 9mm wide tie wrap.



Ducting OD	Part No
51mm	DM51
63mm	DM63
76mm	DM76
89mm	DM89
102mm	DM102

Joining Sleeves

A solution to the problem of joining intake hose to ducts. The Revotec heat shrink sleeves are adhesive lined producing a strong, neat, light and water/vibration proof joint. They have a shrink ratio of 3:1, ie 90mm will shrink to 30mm. Simple to use with a heat gun or hairdryer. Supplied in pairs. Each 50mm wide



Joining Sleeve ID	Part No
70mm	JS70
90mm	JS90
115mm	JS115

Aluminium Air Outlets

Aluminium outlet flange for maximum airflow. Designed for easy fitting to a back plate or upright to hold the outlet end of the ducting in position when the wheels are steered to ensure all brake cooling air is directed at the brake discs. Flange width approximately 15mm.

Ducting ID	Part No
51mm ID Ducting	AO51
63mm ID Ducting	AO63
70mm ID Ducting	AO70
76mm ID Ducting	AO76
89mm ID Ducting	AO89
102mm ID Ducting	AO102
152mm ID Ducting	AO152
203mm ID Ducting	AO203



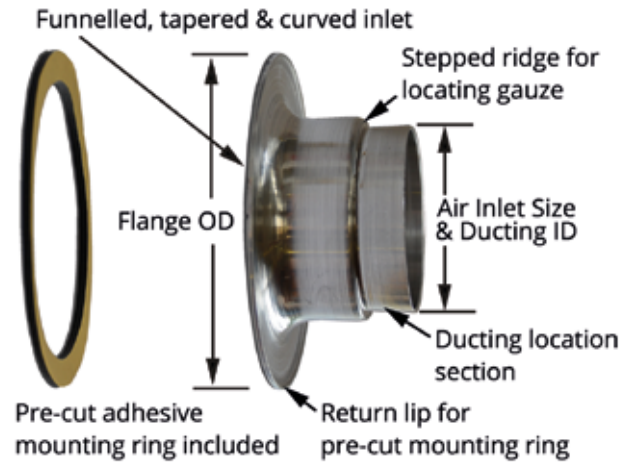
Ducting Clips

Designed to be used with Revotec ducting. This wire clip has a unique loop to step over the ducting reinforcement wire to ensure a perfect clamp and is re usable. Supplied complete with anti-vibration locking heat shrink.

Clip Diameter	Part No
Wire Ducting Clip 47-55mm (Single)	DC51S
Wire Ducting Clip 60-68mm (Single)	DC63S
Wire Ducting Clip 68-76mm (Single)	DC70S
Wire Ducting Clip 74-82mm (Single)	DC76S
Wire Ducting Clip 84-92mm (Single)	DC89S
Wire Ducting Clip 98-105mm (Single)	DC102S
Wire Ducting Clip 47-55mm (Pair)	DC51P
Wire Ducting Clip 60-68mm (Pair)	DC63P
Wire Ducting Clip 68-76mm (Pair)	DC70P
Wire Ducting Clip 74-82mm (Pair)	DC76P
Wire Ducting Clip 84-92mm (Pair)	DC89P
Wire Ducting Clip 98-105mm (Pair)	DC102P

Aluminium Air Inlets

Aluminium inlets with a funnelled and tapered curved intake to produce maximum intake air flow into duct hose. For mounting to a front panel or bumper. Ducting mounting section. Stepped ridge for locating gauze (available separately). Available in plain or anodised black. Each inlet has a return front lip for locating the included pre-cut foam double sided adhesive mounting ring.



Air Inlet Size	Flange OD	Plain Part No	Black Anodised Part No	Plain Gauze Part No	Black Anodised Gauze Part No
51mm ID Ducting	78mm OD	AI51P	AI51BLK	AIG51P	AIG51BLK
63mm ID Ducting	114mm OD	AI63P	AI63BLK	AIG63P	AIG63BLK
76mm ID Ducting	124mm OD	AI76P	AI76BLK	AIG76P	AIG76BLK
89mm ID Ducting	135mm OD	AI89P	AI89BLK	AIG89P	AIG89BLK
102mm ID Ducting	153mm OD	AI102P	AI102BLK	AIG102P	AIG102BLK

High Flow Air Inlet

High flow aluminium air inlets with specific geometry for maximising intake velocity. Produced with a unique hidden rear mounting flange for an easy, neat and secure installation. Each inlet is finished in light weight brushed aluminium and comes with a ducting clip and 3x rubber anchor nut fittings. Approximate body length: 80 to 85mm



Hose ID	Flange OD	Part No
51mm	107mm	HF51
63mm	118mm	HF63
76mm	132mm	HF76
89mm	144mm	HF89
102mm	156mm	HF102

Cold Air Feed Kit

To feed an air intake system and/or air box/filter. Each kit is supplied with: 1x aluminium air inlet black or silver with self adhesive mounting ring. Approximately 1 metre of black high temperature flexible ducting, air inlet gauze silver with plain and black with black, 2 Large cable ties, 1 pair of joining sleeves & 1 ducting clip.

Hose ID	Plain Part No	Anodised Black Part No
51mm	CAF51P	CAF51BLK
63mm	CAF63P	CAF63BLK
76mm	CAF76P	CAF76BLK
89mm	CAF89P	CAF89BLK
102mm	CAF102P	CAF102BLK



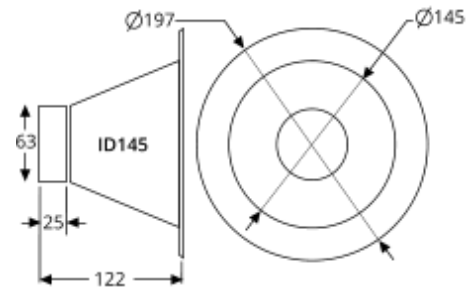
Revotec's range of intake ducts are moulded in ABS making them lightweight yet strong and durable. Each has been designed to allow maximum airflow and is moulded with a mounting flange.

The ID75 is moulded with a stepped outlet for 51 or 63mm ducting. The ID100, ID150 -75 and ID255-80 are moulded with stepped outlet ID's for 63 or 76mm ducting.

Note: All dimensions are approximate

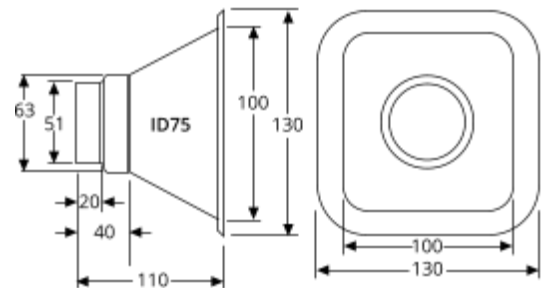
145mm OD Round Inlet 63mm Outlet

ID145



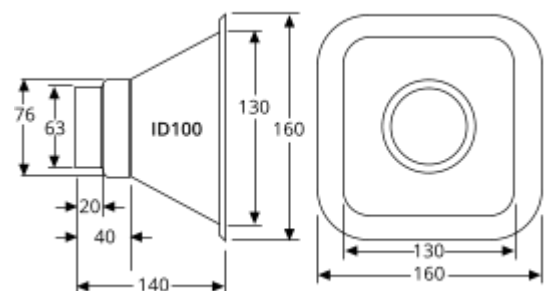
100 x 100mm Square Inlet 51/63mm Outlet

ID75



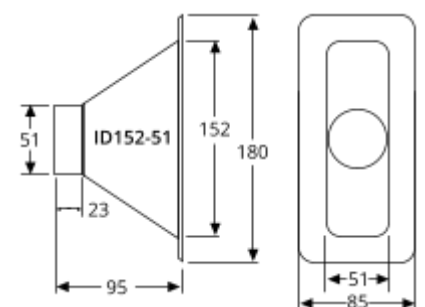
130 x 130mm Square Inlet 63/76mm Outlet

ID100



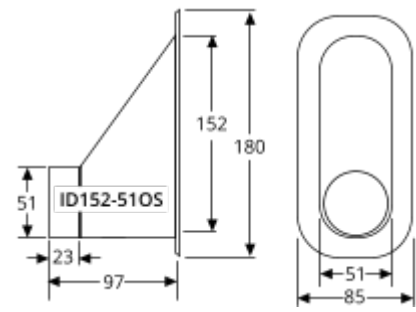
152 x 51mm Rectangular Inlet 51mm Outlet

ID152-51



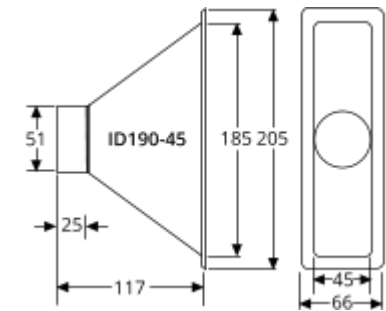
152 x 51mm Rectangular Inlet 51mm Offset Outlet

ID152-51OS



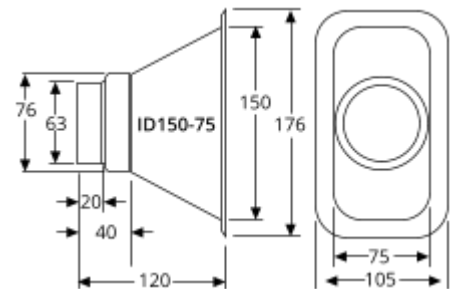
190 x 45mm Rectangular Inlet 51mm Outlet

ID190-45



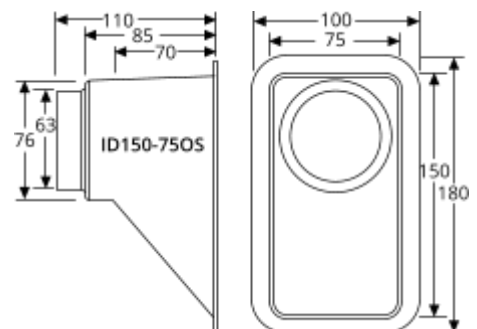
150 x 75mm Rectangular Inlet 63/76mm Outlet

ID150-75



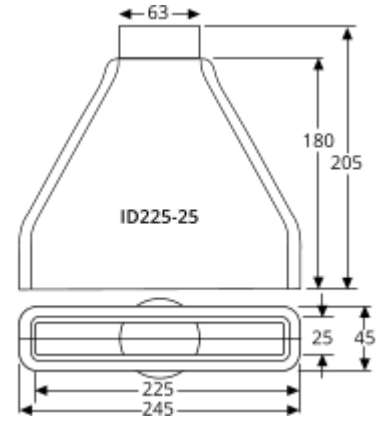
150 x 75mm Rectangular Inlet 63/76mm Offset Outlet

ID150-75OS



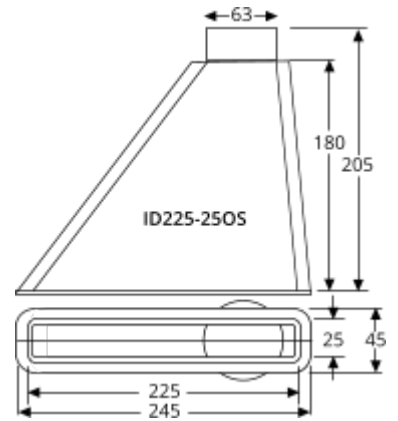
225 x 25mm 2 Piece Rectangular Inlet 63mm Outlet

ID225-25



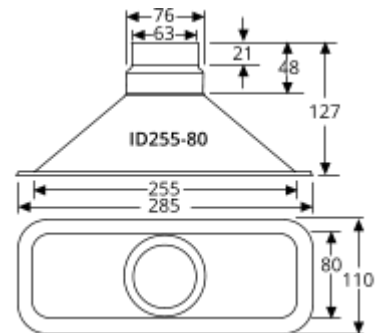
225 x 25mm 2 Piece Rectangular Inlet 63mm Offset Outlet

ID225-25OS



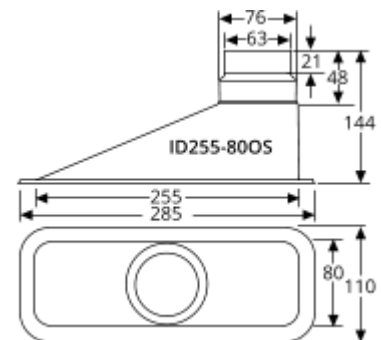
255 x 80mm Rectangular Inlet 63/76mm Outlet

ID255-80



255 x 80mm Rectangular Inlet 63/76mm Offset Outlet

ID255-80OS



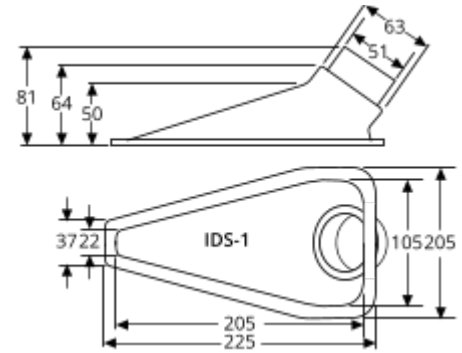
IDS-1B

Black Duct 100 x 200mm Inlet
63/51mm Outlet



IDS-1C

Clear Duct 100 x 200mm Inlet
63/51mm Outlet



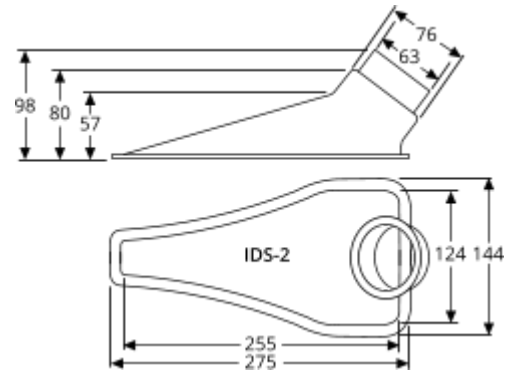
IDS-2B

Black Duct 120 x 240mm Inlet
76/63mm Outlet



IDS-2C

Clear Duct 120 x 240mm Inlet
76/63mm Outlet



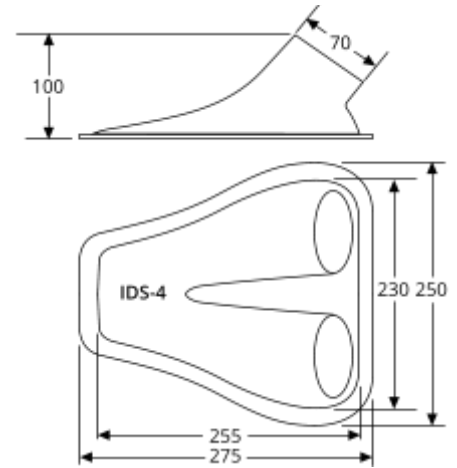
IDS-4B

Black Duct 215 x 240mm Inlet
Dual 70mm Outlet



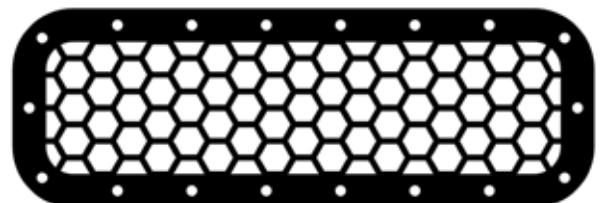
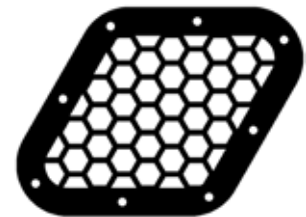
IDS-4C

Clear Duct 215 x 240mm Inlet
Dual 70mm Outlet



Hot Air Outlet Grill

Engineered to allow hot air to escape from an engine bay. Laser cut honeycomb pattern and anodised in 1.0mm aluminium which can easily be manipulated to follow the contours of a bonnet etc. 4mm ID fixing holes for riveting or bolting to panels.



Description	Part No
Hot Air Outlet Grill 90 x 90mm	OG1
Hot Air Outlet Grill 211 x 72mm	OG2

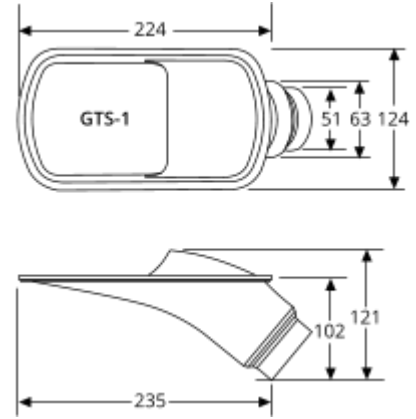
GTS-1B

Black 2 Piece Scoop 63/51mm Outlet



GTS-1C

Clear 2 Piece Scoop 63/51mm Outlet



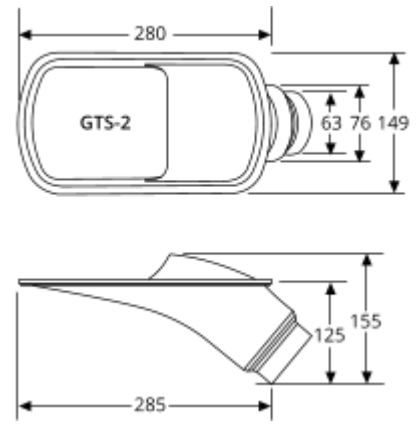
GTS-2B

Black 2 Piece Scoop 76/63mm Outlet



GTS-2C

Clear 2 Piece Scoop 76/63mm Outlet



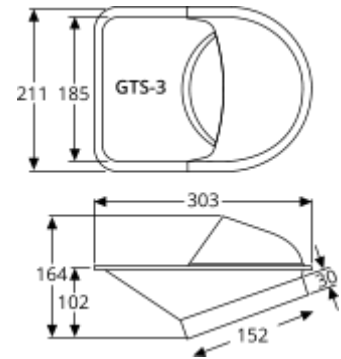
GTS-3B

Black 2 Piece Scoop 152 mm Outlet



GTS-3C

Clear 2 Piece Scoop 152mm Outlet



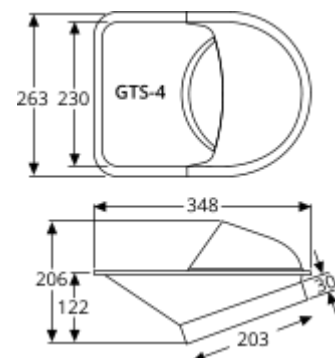
GTS-4B

Black 2 Piece Scoop 203mm Outlet



GTS-4C

Clear 2 Piece Scoop 203mm Outlet



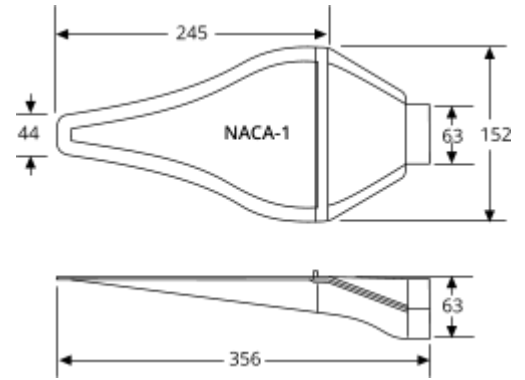
NACA-1B

Black 2 Piece NACA Duct 63mm Outlet



NACA-1C

Clear 2 Piece NACA Duct 63mm Outlet



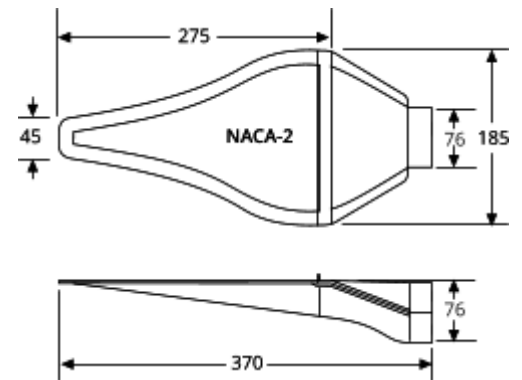
NACA-2B

Black 2 Piece NACA Duct 76mm Outlet



NACA-2C

Clear 2 Piece NACA Duct 76mm Outlet



Vehicle Specific Intake Ducts

Designed to improve cooling to front brake discs maintaining their performance and increasing longevity.



Peugeot 205 GTi

IDP-205GTi

Moulded specifically for the Peugeot 205GTi to fit in place of the original fog light aperture. Pilot drilled to ease mounting and suitable for 63mm ID ducting. Handed and supplied in pairs (1 x LH outlet and 1 x RH outlet) Moulded in durable lightweight 3.0 mm ABS with a smooth inner surface to maximise air flow which can be painted.

Renault Clio 172/182 (Phase II)

Moulded specifically for the Renault Clio 172/182 (Phase II) to fit in place of the original fog light and surround aperture. Mounting points included on moulding to ease mounting and suitable for 63mm ID ducting. Handed and supplied in pairs (1 x LH outlet and 1 x RH outlet) Moulded in durable lightweight 3.0mm ABS. Available in black leather grain finish or carbon fibre look.



Finish

Part No

Black Leather Grain

IDR-CLIOP2

Carbon Fibre Look

IDR-CLIOP2-CF

Also available as a kit comprising of: 1 x pair of intake ducts, 2 x 1 metre lengths of 63mm ID black ducting & 2 x JS70 joining sleeves.

Brake Duct Kit

Part No

Black Leather Grain

RCP2-BK01

Carbon Fibre Look

RCP2-BK01CF



Engineered to solve the problem of teeing into water and air hoses. This unique design forms a perfect seal and will even work on semi rigid plastic and metal. The Revotec Self Sealing Fitting forms a perfect seal by compressing the material between a unique insert and matching sealing washer. Only a small amount of tightening is required.

Each kit is supplied with a hole punch which creates a perfect sized hole in rubber or silicone hoses.

An 'O' ring is included if the fitting is being used on semi rigid material or metal.



Barbed Fitting



Description	Material	Insert OD (mm)	Recommended Min Hose ID (mm)	Part No
5mm Barbed Outlet	Stainless Steel	18	25	SST01
Hose Take Off Kit for 8mm ID Hose	Aluminium	21	25	SST8K
Hose Take Off Kit for 10mm ID Hose	Aluminium	22	28	SST10K
Hose Take Off Kit for 13mm ID Hose	Aluminium	21	25	SST13K
Hose Take Off Kit for 16mm ID Hose	Aluminium	21	25	SST16K
Hose Take Off Kit for 19mm ID Hose	Aluminium	21	28	SST19K
Hose Take Off Kit for 25mm ID Hose	Aluminium	35	38	SST25K

Threaded Fitting



Description	Material	Insert OD (mm)	Recommended Min Hose ID (mm)	Part No
M5 Internal Thread	Stainless Steel	18	25	SSTM5
M10 X 1.0 Internal Thread	Aluminium	28	32	SSTM10
1/8 NPT Internal Thread	Aluminium	28	32	SST1/8
1/4 NPT Internal Thread	Aluminium	35	38	SST1/4
M12 X 1.5 Internal Thread	Aluminium	35	38	SSTM12
M14 X 1.5 Internal Thread	Aluminium	35	38	SSTM14
3/8 BSP Internal Thread	Aluminium	35	38	SST3/8



Self Sealing Fitting Bleed Kit

Enables an additional bleed point with a cooling system to help remove any air locks. Supplied as complete kit with hole cutting punch, knurled bleed screw and sealing washer.

Description	Material	Insert OD (mm)	Recommended Min Hose ID (mm)	Part No
Bleed Kit	Aluminium	21	25	SST-BL

Our CNC machined aluminium hose adapters are a perfect solution for a number of different applications such as; installing sensors, hose adapter take offs, with water and air to allow a neat and simple installation in a radiator or silicone/rubber engine hose. Overall length is approx 75mm with a milled flat thread section length of 25mm.

Description	Thread	Part No
Aluminium Hose Adapter 25mm OD	1/8NPT	HA25NPT
Aluminium Hose Adapter 28mm OD	1/8NPT	HA28NPT
Aluminium Hose Adapter 30mm OD	1/8NPT	HA30NPT
Aluminium Hose Adapter 32mm OD	1/8NPT	HA32NPT
Aluminium Hose Adapter 35mm OD	1/8NPT	HA35NPT
Aluminium Hose Adapter 38mm OD	1/8NPT	HA38NPT
Aluminium Hose Adapter 45mm OD	1/8NPT	HA45NPT
Aluminium Hose Adapter 25mm OD	5/8UNF	HA25UNF
Aluminium Hose Adapter 28mm OD	5/8UNF	HA28UNF
Aluminium Hose Adapter 30mm OD	5/8UNF	HA30UNF
Aluminium Hose Adapter 32mm OD	5/8UNF	HA32UNF
Aluminium Hose Adapter 35mm OD	5/8UNF	HA35UNF
Aluminium Hose Adapter 38mm OD	5/8UNF	HA38UNF
Aluminium Hose Adapter 45mm OD	5/8UNF	HA45UNF
Aluminium Hose Adapter 25mm OD	3/8BSP	HA25BSP
Aluminium Hose Adapter 28mm OD	3/8BSP	HA28BSP
Aluminium Hose Adapter 30mm OD	3/8BSP	HA30BSP
Aluminium Hose Adapter 32mm OD	3/8BSP	HA32BSP
Aluminium Hose Adapter 35mm OD	3/8BSP	HA35BSP
Aluminium Hose Adapter 38mm OD	3/8BSP	HA38BSP
Aluminium Hose Adapter 45mm OD	3/8BSP	HA45BSP
Aluminium Hose Adapter 25mm OD	M10 x 1.0	HA25M10
Aluminium Hose Adapter 28mm OD	M10 x 1.0	HA28M10
Aluminium Hose Adapter 30mm OD	M10 x 1.0	HA30M10
Aluminium Hose Adapter 32mm OD	M10 x 1.0	HA32M10
Aluminium Hose Adapter 35mm OD	M10 x 1.0	HA35M10
Aluminium Hose Adapter 38mm OD	M10 x 1.0	HA38M10
Aluminium Hose Adapter 45mm OD	M10 x 1.0	HA45M10
Aluminium Hose Adapter 25mm OD	M12 x 1.5	HA25M12
Aluminium Hose Adapter 28mm OD	M12 x 1.5	HA28M12
Aluminium Hose Adapter 30mm OD	M12 x 1.5	HA30M12
Aluminium Hose Adapter 32mm OD	M12 x 1.5	HA32M12
Aluminium Hose Adapter 35mm OD	M12 x 1.5	HA35M12
Aluminium Hose Adapter 38mm OD	M12 x 1.5	HA38M12
Aluminium Hose Adapter 45mm OD	M12 x 1.5	HA45M12
Aluminium Hose Adapter 25mm OD	M14 x 1.5	HA25M14
Aluminium Hose Adapter 28mm OD	M14 x 1.5	HA28M14
Aluminium Hose Adapter 30mm OD	M14 x 1.5	HA30M14
Aluminium Hose Adapter 32mm OD	M14 x 1.5	HA32M14
Aluminium Hose Adapter 35mm OD	M14 x 1.5	HA35M14
Aluminium Hose Adapter 38mm OD	M14 x 1.5	HA38M14
Aluminium Hose Adapter 45mm OD	M14 x 1.5	HA45M14



Hose Adapter Take Offs

The innovative, engineered T-Connection solution for fitment to a Revotec 3/8BSP Hose Adapter. CNC milled machined aluminium. Ribbed for maximum sealing and grip.

Supplied complete with special sealing washer. Hose fitting length approx 25mm

Description	Thread	Part No
Hose Adapter Take Off 8mm Push On Tail	3/8BSP	HAT8
Hose Adapter Take Off 10mm Push On Tail	3/8BSP	HAT10
Hose Adapter Take Off 13mm Push On Tail	3/8BSP	HAT13
Hose Adapter Take Off 16mm Push On Tail	3/8BSP	HAT16
Hose Adapter Take Off 19mm Push On Tail	3/8BSP	HAT19
Hose Adapter Take Off 25mm Push On Tail	3/8BSP	HAT25



Hose Adapter not included



Hose Joiners

Hose joiners are ideal for joining together two lengths of silicone or rubber hose. The large range of sizes available makes them suitable for oil, water or boost / air pipes. CNC machined in aluminium, ribbed for maximum sealing and grip.

Hose OD	Part No
Hose Joiner 13mm OD	HI13
Hose Joiner 16mm OD	HI16
Hose Joiner 19mm OD	HI19
Hose Joiner 22mm OD	HI22
Hose Joiner 25mm OD	HI25
Hose Joiner 28mm OD	HI28
Hose Joiner 30mm OD	HI30
Hose Joiner 32mm OD	HI32
Hose Joiner 35mm OD	HI35
Hose Joiner 38mm OD	HI38
Hose Joiner 40mm OD	HI40
Hose Joiner 45mm OD	HI45
Hose Joiner 48mm OD	HI48
Hose Joiner 50mm OD	HI50
Hose Joiner 54mm OD	HI54
Hose Joiner 57mm OD	HI57
Hose Joiner 60mm OD	HI60
Hose Joiner 63mm OD	HI63
Hose Joiner 68mm OD	HI68
Hose Joiner 70mm OD	HI70
Hose Joiner 75mm OD	HI75
Hose Joiner 89mm OD	HI89



Speed Sensor

SS34-1

Electronic speed sensor is a magnetic pick up sensor which is suitable for most types of electronic speedometers. Supplied with lock nuts to attach to a bracket or panel. Does not require magnets and is normally mounted 2-3mm from brake disc or drive shaft bolts. Contains built in LED indicating operation. 8mm diameter, approximately 2 metre long cable



Ford Type 9 Gearbox Adapter

T9-A

This stainless steel adapter enables the mechanical drive output of a T9 type gearbox for a direct fitment of an electronic sensor making electronic speedometer installation easy. Provides a M18 x1.5 thread mounting.



Description	Part No
Universal Single Gauge Mount (Universal Flange Fitting)	GM1U-BLG
Universal Double Gauge Mount (Universal Flange Fitting)	GM2U-BLG
Universal Triple Gauge Mount (Universal Flange Fitting)	GM3U-BLG

Gauge Mounts Black Leather Grain Effect

Designed and made in the UK these gauge mounts can be profiled by the customer to fit almost any car windscreen pillar or roll bar. All supplied pre-drilled for 52mm gauges. Manufactured in ABS with a Black Leather Grain finish.



Gauge Pods

Revotec's gauge pod is a free standing pod available with two different front sections made from aluminium and anodised plain or black. The rear section is injection moulded ABS and is supplied complete with internal fitting bracket to suit most 52mm gauges and mounting plate. The complete assembly is firmly fixed together with a taptite screw and metal fixing plate.

This neat gauge pod will mount the gauge securely in almost any position and orientation with vibration proof lock nuts. Supplied complete with grommet and seal.



Gauges not included

GP1-SIL-A

GP1-BLK-A



Seat Tape

BT01

Matt black seat tape with black adhesive 50mm x 50m
 Matt black seat tape, perfect for covering moulded seat inserts. The matt finish gives a little extra grip, and the low residue black rubber adhesive doesn't make a mess of your race suit. Also, ideal for protecting painted/powder coated body panel surfaces and joints from scuffs and abrasion without leaving a sticky residue when removed.

Oil Cooler Ducts C/W Brackets

These high quality oil cooling air ducts have been specifically designed to mount quickly and easily to 13, 16 or 19 row Mocal or Racetech type oil coolers. Supplied with laser cut aluminium mounting brackets and all fittings. Formed from HDPE. Stepped inlet to accommodate two sizes of ducting 63/76mm on 13 & 16 row. 19 row duct designed with double inlet 76/63mm.



Description	Width	Height	Depth	Inlet	Part No
To suit 13 Row Oil Cooler C/W Brackets & Fixings	260mm	100mm	160mm	76/63	OCD13
To suit 16 Row Oil Cooler C/W Brackets & Fixings	260mm	120mm	160mm	89/76	OCD16
To suit 19 Row Oil Cooler C/W Brackets & Fixings	260mm	140mm	160mm	76/63 x 2	OCD19

Oil Cooler Ducts C/W Pull Through Kit

These high quality oil cooler air ducts have been specifically designed to mount quickly and easily to 13, 16 or 19 row Mocal or Racetech type oil coolers. Each kit is supplied with a pull through kit.

Description	Width	Height	Depth	Inlet	Part No
To suit 13 Row Oil Cooler C/W Pull Through Mounts	260mm	100mm	160mm	70	OCD13-PK
To suit 16 Row Oil Cooler C/W Pull Through Mounts	260mm	120mm	160mm	70	OCD16-PK
To suit 19 Row Oil Cooler C/W Pull Through Mounts	260mm	140mm	160mm	70	OCD19-PK



Fuel Pump Mount

An engineering solution for securely mounting a fuel pump. Pressed and shaped in aluminium to securely fix and hold a fuel pump with no damage. Supplied complete with 2x metal clamps & a neoprene foam strip. Anodised black.

Description	Part No
Fuel Pump Mount to suit 38mm Fuel Pump	FPM01
Fuel Pump Mount to suit 43.5mm Fuel Pump	FPM02
Fuel Pump Mount to suit 60mm Fuel Pump	FPM03



Fuel pump not included

Description	Part No
3 > 1mm x 1250mm (5 x lengths of 250mm)	HS3
6 > 2mm x 1000mm (4 x lengths of 250mm)	HS6
9 > 3mm x 750mm (3 x lengths of 250mm)	HS9
12 > 4mm x 750mm (3 x lengths of 250mm)	HS12
18 > 6mm x 500mm (2 x lengths of 250mm)	HS18
24 > 8mm x 500mm (2 x lengths of 250mm)	HS24
39 > 13mm x 250mm (1 x lengths of 250mm)	HS39



Nylon Overbraid

Nylon overbraid protects cable walls without further 'insulating' cable which may retain unwanted heat. The overbraid is simple to fit and flexes to the correct diameter without reduction in wall properties. Two sizes of flex are available, in either a 1/4" - 5/8" or 1/2" - 1" dependent on cable diameter.

Description	Part No
16mm ² Black Single Insulated Battery/Starter Cable	PVC16B
16mm ² Red Single Insulated Battery/Starter Cable	PVC16R
25mm ² Red Single Insulated Battery/Starter Cable	PVC25B
25mm ² Red Single Insulated Battery/Starter Cable	PVC25R



Battery Post Terminals

Tin plated (screw fixing) battery terminals to suit cable up to 170 Amps. Terminals are available in positive and negative variations.

Description	Part No
6mm ID Stud Hole for 16mm Cable	CTT16/6
8mm ID Stud Hole for 16mm Cable	CTT16/8
10mm ID Stud Hole for 16mm Cable	CTT16/10
6mm ID Stud Hole for 25mm Cable	CTT25/6
8mm ID Stud Hole for 25mm Cable	CTT25/8
10mm ID Stud Hole for 25mm Cable	CTT25/10

Ring Terminals for Battery / Starter Cable (2 Per Pack)

A range of terminals for starter motor type connections. These terminals are tinned copper tube terminals, suitable for crimping or soldering.



Heat Shrink Adhesive Lined 3:1

The Revotec adhesive lined heat shrink features an inner coating which, when heated, becomes adhesive ensuring the shrink remains in the required position without twisting.

The heat shrink has a 3:1 ratio, providing the user with a straight forward means of covering the cable itself, then once the wrap is in the specified location it can be secured by applying heat



Description	Part No
1/4" to 5/8" x 100mm	OB1458
1/2" to 1" x 100mm	OB1234N



Battery / Starter Cable

Single insulated battery / starter cable. Resistant to petrol, lubricating oils and diluted acids. Plain copper conductors. PVC Insulated -15°C to +70°C.

Revotec are the UK distributors of COMEX Europe Rooftop Vents. Comex's range of rooftop fans and extractors have been designed and engineered to provide unparalleled ventilation for a wide range of applications including: Ambulances, Vans, Police and Dog Carrying vehicles etc. They deliver exceptional air extraction with long life, quiet and low current use motors. The covers are Polycarbonate and are UVA tested. A range of parts enable a reliable and effective system to be installed very quickly and cost effectively.



RTR Vent Dome (White) **RV0510.01**

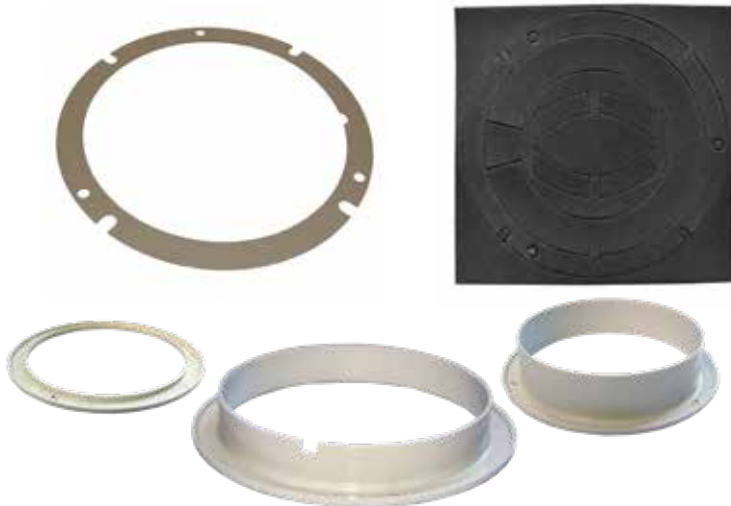


RTT Vent Dome (White) **RV0503.01**



Ceiling Plate + 4 Jet Vents **RV0512.01**

Description	Air Flow	Current Draw	Part No
12v Extractor Unit Rooftop Vent - Flat Motor	400 m ³ /h	6.4 amps	IRT-12E8007-22S
12v Intake Unit Rooftop Vent - Flat Motor	290 m ³ /h	6.6 amps	IRT-12E8001-38B
24v Extractor Unit Rooftop Vent - Flat Motor	280 m ³ /h	6.4 amps	IRT-24E8007-22S
24v Intake Unit Rooftop Vent - Flat Motor	260 m ³ /h	6.6 amps	IRT-24E8001-38B



Trim Rings	Part No
10mm Trim Ring (White)	RV.0506.01
40mm Trim Ring (White)	RV.0507.01
60mm Trim Ring (White)	RV.0508.01

Accessories	Part No
Sealing Foam Ring	RV.0701.00
Drilling Mask	RV.0702.00

Comex Radial Fans

COMEX radial fans have been specifically developed to deliver extremely high volumes of airflow at a very high working pressure.

Applications include:

- * Moving air inside refrigerated vehicles
- * Providing suction on vacuum floor cleaners
- * Dust removal
- * Ventilation of driver cabins

In addition the design enables extremely low profile installations such as found on refrigerated vehicle roof spaces. This simple but effective design is also very versatile and easy to install. It requires only a basic shroud. COMEX offer a wide range of motor mountings.

Available to order in 12v, 24v, 36v & 48v



Features:

- * Very high airflows
- * Extreme working pressure
- * High Efficiency
- * Quiet operation
- * Very long life motors
- * Able to operate in extreme temperatures

Revotec's skills cover a wide range of disciplines. With nearly 25 years of product development experience our engineering team have produced a number of bespoke products to meet customer's specific needs, designs or requirements.

Bespoke Ducting & Logistics

A growing number of performance vehicle OEM's now entrust Revotec to supply specific ducting custom made to their specification. Revotec not only ensure quality and specification are met but also the parts are held in stock ready to meet delivery requirements and schedules.

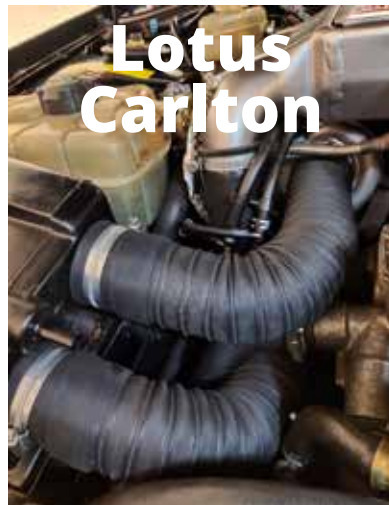


Large stocks held in our warehouse



Ducting to specific lengths and specification for Performance vehicle OEM's

Bespoke Parts



Defective OEM Part

Revotec Bespoke Part

Bespoke Parts for Mazda MX-5 & US Specification Volvo
Using Revotec's wealth of knowledge in moulding intakes we have developed a number of bespoke intakes including tool design, production final QC inspection of parts and scheduled supply to the end customer.

Whether for current OEM or to replace and upgrade original discontinued parts as in this case for the Lotus Carlton intake hose. Revotec have custom designed and produced a part that not only meets specification but is superior using modern materials and production techniques.

Economical production runs are surprisingly small.

Customer Specification COMEX Fans



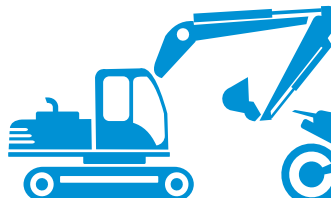
By working closely with COMEX's engineering department as the official stockists and distributor Revotec is able to supply dedicated cooling fans to meet specific requirements either to replace fans no longer available or to meet a requirement on a new project. Applications include: 12, 24, 36 & 48 volt.



Agricultural



Marine



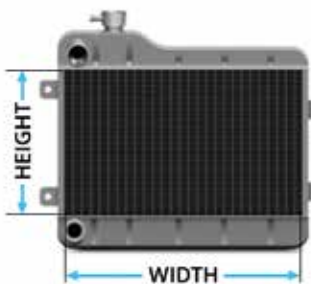
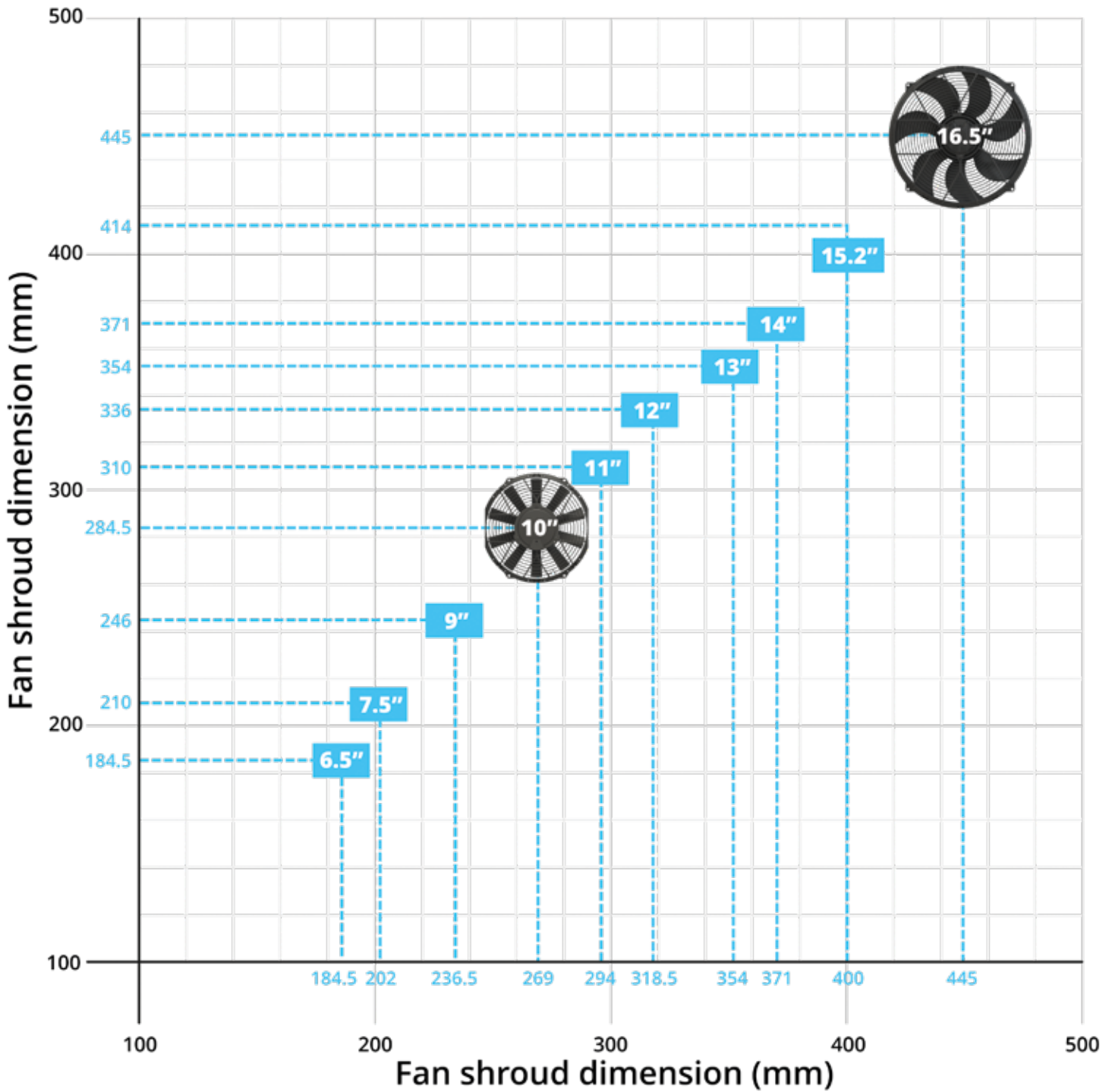
Industrial



Motorcycle



Automotive



Fan Sizing

Determine how much space is available either in front (grill side) or behind (engine side) of the radiator, this dictates whether a sucking or blowing fan can be fitted.

Installation

All COMEX fans must be installed in accordance with the manufacturer's guidelines.

Failure to comply will invalidate any warranty and may reduce operational efficiency.

All COMEX fans are dedicated suction or blowing, they cannot be reversed.

Description	Commodity Code	Country of Origin
COMEX Series 50 Motor Fans	84145925	Italy
COMEX Motorbike Type Fans	84145925	Italy
COMEX Slimline Fans	84145925	Italy
COMEX High Power Fans	84145925	Italy
COMEX Very High Power Fans	84145925	Italy
COMEX Rooftop Fans & Accessories	84145925	Italy
Flush Mounts	87089199	UK
Aluminium Universal Fan Brackets	84879090	UK
Steel Universal Fan Brackets	84879090	UK
Fan Pull Through Kits	87089199	UK
Fan Fitting Accessories	87089199	UK
Electronic Fan Controller - Negative Earth	84099900	UK
Electronic Fan Controller - Positive Earth	84099900	UK
Electronic Fan Controller - Self Sealing Fitting	84099900	UK
Electronic Fan Controller - Threaded Fitting	84099900	UK
Weld On Bosses & Plugs	87089199	UK
Override Switches	85365019	UK
Silicone Hose Set	40169957	UK
Silicone Hose Set	40169957	UK
Retrofit Cooling Kits - Negative Earth	87089199	UK
Retrofit Cooling Kits - Positive Earth	87089199	UK
Original Electric Replacement Fans	84145925	UK
Original Electric Replacement Fans	84145925	UK
Replacement Air Conditioning Fans	84145925	Italy
Inline Blower Fan	84145925	UK
Flexible Aluminium Ducting	84159000	UK
Finishing Rings For Flexible Aluminium Ducting	76199990	UK
Black Flexible Neoprene Ducting	40092100	UK
Red Flexible Single Layer Silicone Ducting	40092100	UK
Dual Layer Silicone Ducting	40092100	UK
Ducting Clamps (Single & Pairs)	87089997	UK
Ducting Mounts	87089997	UK
Joining Sleeves	85479000	UK
Aluminium Air Outlets	87081090	UK
Aluminium Air Inlets	87081090	UK
Aluminium Air Inlet Gauzes	76169100	UK
High Flow Air Inlets	87081090	UK
2 Step Hose Reducers	76090000	UK
3 Step Hose Reducers	76090000	UK
Air Intakes	87089997	UK
Vehicle Specific Intake Ducts	87089997	UK
Cold Air Feed Kits	87089199	UK
Side Air Scoops	87089997	UK
NACA Ducts	87089997	UK
GT Scoops	87089997	UK
Self Sealing Fittings	87089199	UK
Hose Adapters	76090000	UK
Hose Adapter Take Offs	87089199	UK
Hose Joiners	76090000	UK
Gauge Mounts - Black Leather Grain Effect	87089997	UK
Gauge Pods	87089997	UK
Gauge Senders	87089997	UK
Cable Accessories	85369040	UK
Oil Cooler Ducts	87089997	UK
Fuel Pump Mount	87089997	UK
Battery/Starter Cable	85369095	UK
Battery Post Terminals Tin Plated (Screw Fixing)	85369040	UK
Ring Terminals For Battery/Starter Cable	85369040	UK
Hot Air Grills	87081090	UK
Supplementary Items	87081090	UK



Revotec Limited
Units 1 & 5 Henderson House
Hithercroft Road
Wallingford
Oxfordshire
OX10 9DG

T: 0044 (0)1491 824424
F: 0044 (0)1491 833711
E: sales@revotec.com
W: www.revotec.com