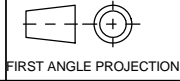


# A2 INSTALLATION DRAWING

If this document is printed in hardcopy, it is for information use only and therefore is not subject to updating controls. Always refer to viewer for latest issue.



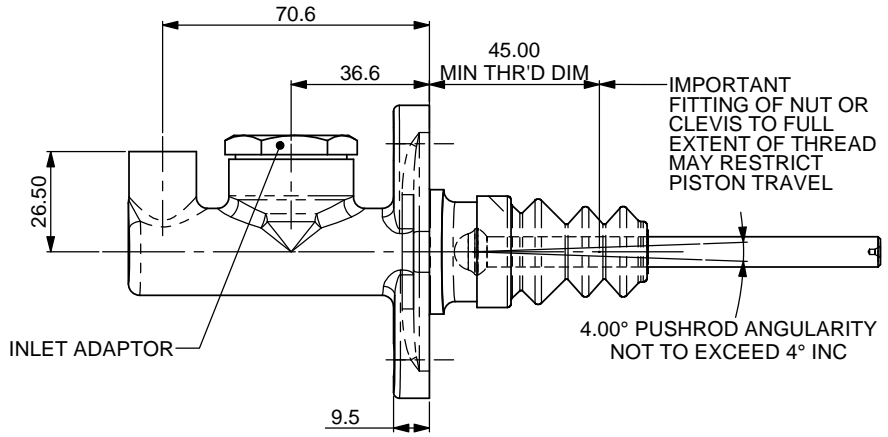
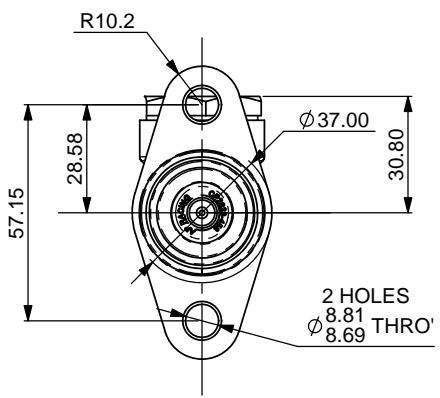
THIS DRAWING IS CONFIDENTIAL AND IS SUPPLIED ON THE EXPRESS CONDITION THAT IT SHALL NOT BE LOANED OR COPIED OR DISCLOSED TO ANY OTHER PERSON OR USED FOR ANY OTHER PURPOSE WITHOUT THE WRITTEN CONSENT OF AP RACING LTD.



**AP Racing**  
Wheler Road  
Coventry  
CV3 4LB

Tel: +44 024 7663 9595  
Fax: +44 024 7663 9559  
e-mail: sales@apracings.co.uk  
Web site: http://www.apracings.com

© AP Racing Ltd. 2005



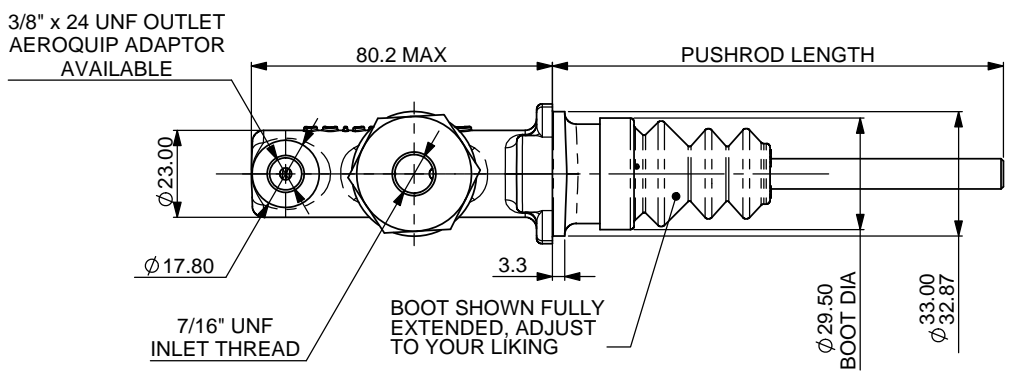
Issue No.	Date & No.	Alterations	
		Particulars	Zone
1	26/04/13 B6317	FIRST ISSUE	SAT
2	24/02/15 B7242	BOOT DIA'S Ø29.50 & Ø31.00 ADDED. DRAWING - 1CD. PREVIOUSLY DETAILED CAST BODIES - 77CD FOR FORGED BODIES RENUMBERED TO REPLACE	10D 4B SAT
3	13/04/16 B7242	SHEET 1 EXPANDED OVER 3 PAGES TO MAKE BODY & BOOT SIZE COMBINATIONS ACROSS CYL RANGE MORE CLEAR	SAT

**GENERAL DESCRIPTION:**  
LIGHT WEIGHT MASTER CYLINDER FOR USE IN ALL CAR APPLICATIONS. CP2623 MASTER CYLINDER IS SUPPLIED WITH 7/16" THREADED INLET

WEIGHT.....260g (0.573Lb)  
FULL STROKE.....25.4 (1.0")  
TRAVEL TO CUT-OFF SHORT.....0.68 TO 1.09 (0.027" TO 0.043")

BODY MATERIAL.....ALUMINIUM ALLOY  
TYPICAL APPLICATIONS.....FOR USE IN ALL CARS

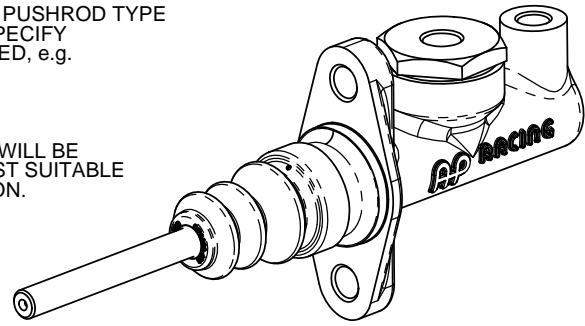
SEE SHEET 4 FOR PUSHROD DETAILS AND INLET OPTIONS



AVAILABLE SIZES OF CYLINDER				
PART NUMBER	BORE SIZE	SHEET No.	TIE WRAP	REPAIR KIT
CP2623-88	Ø14	SHEET 1	BLACK & ORANGE	CP2623-88RK
CP2623-89	Ø15		BLACK & RED	CP2623-89RK
CP2623-90	Ø15.9 (5/8")		BLACK	CP2623-90RK
CP2623-905	Ø16.8		BLACK & YELLOW	CP2623-905RK
CP2623-91	Ø17.8 (0.70")		BLUE	CP2623-91RK
CP2623-92	Ø19.1 (3/4")		GREEN	CP2623-92RK
CP2623-93	Ø20.6 (13/16")	SHEET 2	ORANGE	CP2623-93RK
CP2623-94	Ø22.2 (7/8")		RED	CP2623-94RK
CP2623-95	Ø23.8 (15/16")	SHEET 3	WHITE	CP2623-95RK
CP2623-96	Ø25.4 (1.0")		YELLOW	CP2623-96RK

**ORDERING:**  
WHEN ORDERING PLEASE STATE PUSHROD TYPE AND LENGTH REQUIRED. ALSO SPECIFY WHICH TYPE OF INLET IS REQUIRED, e.g.  
CP2623-90PRT088  
CP2623-90PRT115  
CP2623-90PRT160

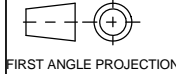
AP RACING TECHNICAL SECTION WILL BE PLEASED TO ADVISE ON THE MOST SUITABLE EQUIPMENT FOR ANY APPLICATION.



SCALE 1:1	SHEET 1 OF 4
DRAWN	Steve Thomas
APPROVED	
DERIVED FROM	
TITLE EXTRA SHORT MASTER CYLINDER	
DRG NO.	CP2623-1CD

# A2 INSTALLATION DRAWING

If this document is printed in hardcopy, it is for information use only and therefore is not subject to updating controls. Always refer to viewer for latest issue.



THIS DRAWING IS CONFIDENTIAL AND IS SUPPLIED ON THE EXPRESS CONDITION THAT IT SHALL NOT BE LOANED OR COPIED OR DISCLOSED TO ANY OTHER PERSON OR USED FOR ANY OTHER PURPOSE WITHOUT THE WRITTEN CONSENT OF AP RACING LTD.

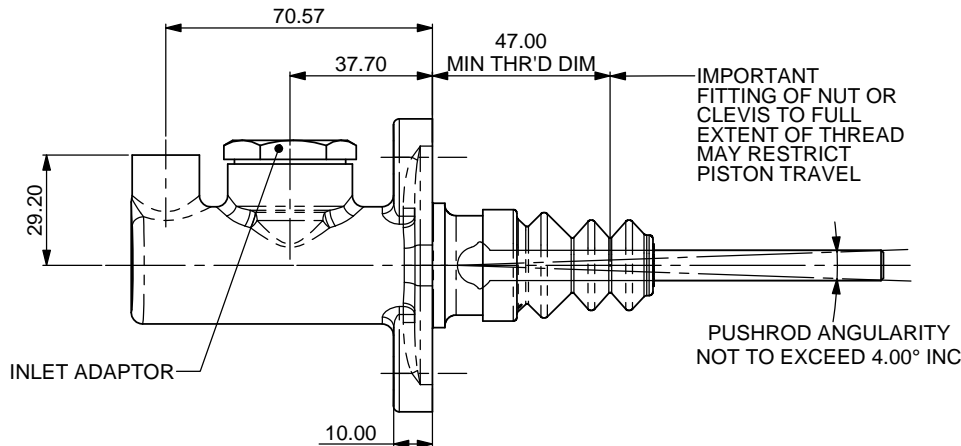
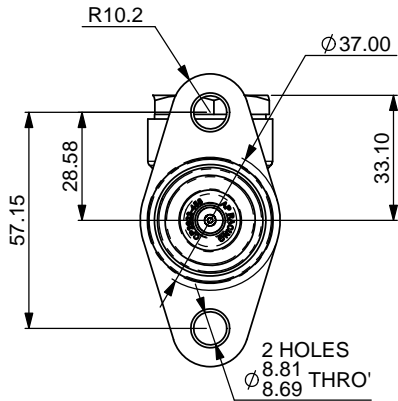


AP Racing  
Wheler Road  
Coventry  
CV3 4LB

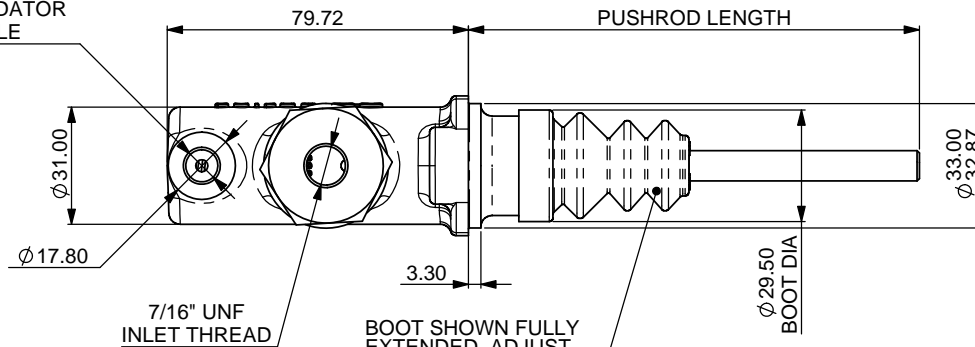
Tel: +44 024 7663 9595  
Fax: +44 024 7663 9559  
e-mail: sales@ap racing.co.uk  
Web site: http://www.ap racing.com

© AP Racing Ltd. 2015

Issue No.	Alterations		Zone	Initials
	Date & No.	Particulars		



3/8" x 24 UNF OUTLET AEROQUIP ADATOR AVAILABLE



AVAILABLE SIZES OF CYLINDER			
PART NUMBER	BORE SIZE	TIE WRAP	REPAIR KIT
CP2623-93	Ø20.6 (13/16")	ORANGE	CP2623-93RK
CP2623-94	Ø22.2 (7/8")	RED	CP2623-94RK

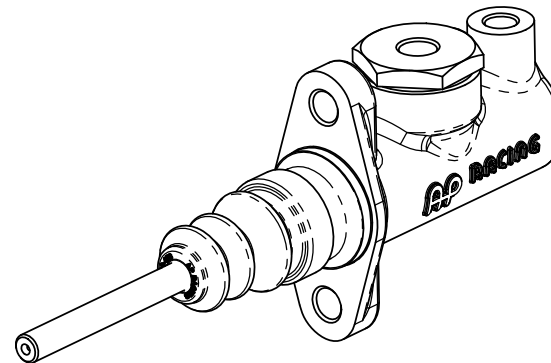
GENERAL DESCRIPTION:  
LIGHT WEIGHT MASTER CYLINDER FOR USE IN ALL CAR APPLICATIONS. CP2623 MASTER CYLINDER IS SUPPLIED WITH 7/16" THREADED INLET

WEIGHT.....300g (0.661Lb)  
FULL STROKE.....25.4 (1.0")  
TRAVEL TO CUT-OFF  
SHORT.....0.68 TO 1.09 (0.027" TO 0.043")  
BODY MATERIAL.....ALUMINIUM ALLOY  
TYPICAL APPLICATIONS.....FOR USE IN ALL CARS

SEE SHEET 4 FOR PUSHROD DETAILS AND INLET OPTIONS

**ORDERING:**  
WHEN ORDERING PLEASE STATE PUSHROD TYPE AND LENGTH REQUIRED. ALSO SPECIFY WHICH TYPE OF INLET IS REQUIRED, e.g.  
CP2623-90PRT088  
CP2623-90PRT115  
CP2623-90PRT160

AP RACING TECHNICAL SECTION WILL BE PLEASED TO ADVISE ON THE MOST SUITABLE EQUIPMENT FOR ANY APPLICATION.



SCALE 1:1 SHEET 2 OF 4

DRAWN Steve Thomas

APPROVED

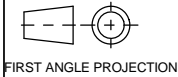
DERIVED FROM

TITLE  
EXTRA SHORT  
MASTER CYLINDER

DRG NO. CP2623-1CD

# A2 INSTALLATION DRAWING

If this document is printed in hardcopy, it is for information use only and therefore is not subject to updating controls. Always refer to viewer for latest issue.



THIS DRAWING IS CONFIDENTIAL AND IS SUPPLIED ON THE EXPRESS CONDITION THAT IT SHALL NOT BE LOANED OR COPIED OR DISCLOSED TO ANY OTHER PERSON OR USED FOR ANY OTHER PURPOSE WITHOUT THE WRITTEN CONSENT OF AP RACING LTD.



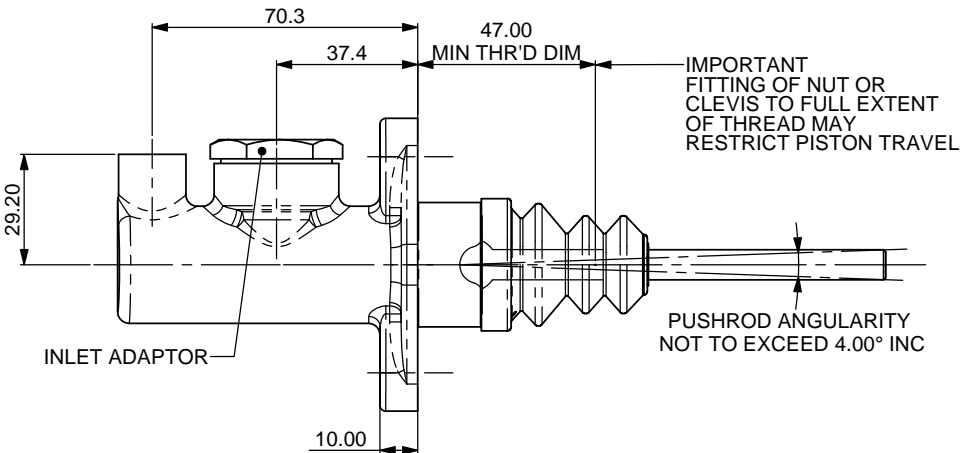
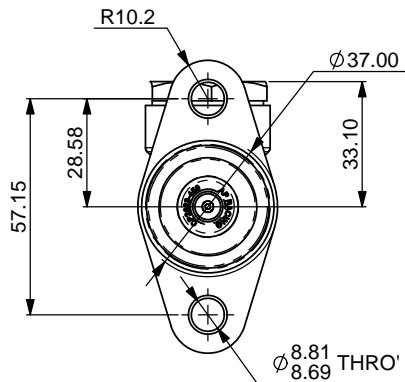
AP Racing  
Wheler Road  
Coventry  
CV3 4LB

Tel: +44 024 7663 9595  
Fax: +44 024 7663 9559  
e-mail: sales@apracings.co.uk

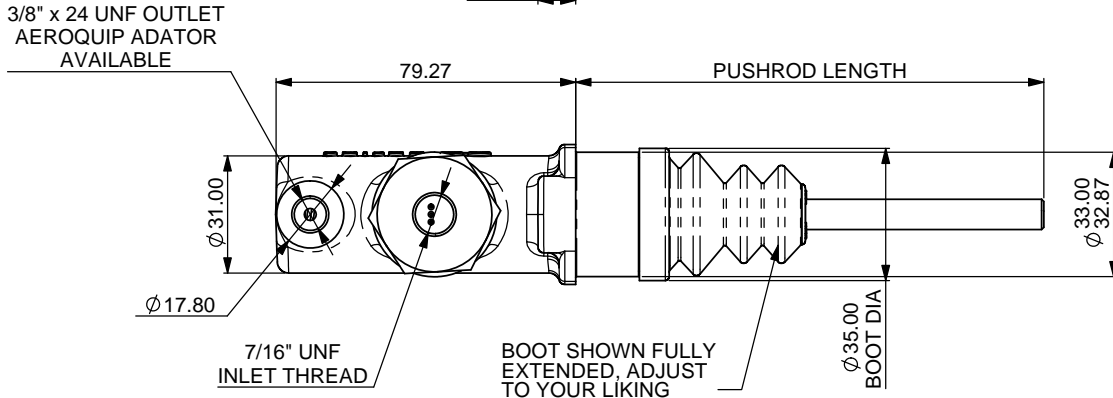
© AP Racing Ltd. 2015

Web site: <http://www.apracings.com>

Issue No.	Alterations		Zone	Initials
	Date & No.	Particulars		



IMPORTANT FITTING OF NUT OR CLEVIS TO FULL EXTENT OF THREAD MAY RESTRICT PISTON TRAVEL



AVAILABLE SIZES OF CYLINDER			
PART NUMBER	BORE SIZE	TIE WRAP	REPAIR KIT
CP2623-95	Ø23.8 (15/16")	WHITE	CP2623-95RK
CP2623-96	Ø25.4 (1.0")	YELLOW	CP2623-96RK

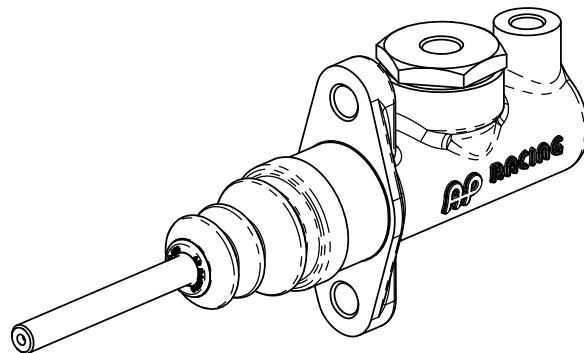
GENERAL DESCRIPTION:  
LIGHT WEIGHT MASTER CYLINDER FOR USE IN ALL CAR APPLICATIONS. CP2623 MASTER CYLINDER IS SUPPLIED WITH 7/16" THREADED INLET

WEIGHT.....340g (0.750Lb)  
FULL STROKE.....25.4 (1.0")  
TRAVEL TO CUT-OFF  
SHORT.....0.68 TO 1.09 (0.027" TO 0.043")  
BODY MATERIAL.....ALUMINIUM ALLOY  
TYPICAL APPLICATIONS.....FOR USE IN ALL CARS

SEE SHEET 4 FOR PUSHROD DETAILS AND INLET OPTIONS

**ORDERING:**  
WHEN ORDERING PLEASE STATE PUSHROD TYPE AND LENGTH REQUIRED. ALSO SPECIFY WHICH TYPE OF INLET IS REQUIRED, e.g.  
CP2623-90PRT088  
CP2623-90PRT115  
CP2623-90PRT160

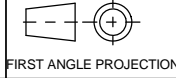
AP RACING TECHNICAL SECTION WILL BE PLEASED TO ADVISE ON THE MOST SUITABLE EQUIPMENT FOR ANY APPLICATION.



SCALE 1:1	SHEET 3 OF 4
DRAWN	Steve Thomas
APPROVED	
DERIVED FROM	
TITLE EXTRA SHORT MASTER CYLINDER	
DRG NO.	CP2623-1CD

# A2 INSTALLATION DRAWING

If this document is printed in hardcopy, it is for information use only and therefore is not subject to updating controls. Always refer to viewer for latest issue.



THIS DRAWING IS CONFIDENTIAL AND IS SUPPLIED ON THE EXPRESS CONDITION THAT IT SHALL NOT BE LOANED OR COPIED OR DISCLOSED TO ANY OTHER PERSON OR USED FOR ANY OTHER PURPOSE WITHOUT THE WRITTEN CONSENT OF AP RACING LTD.

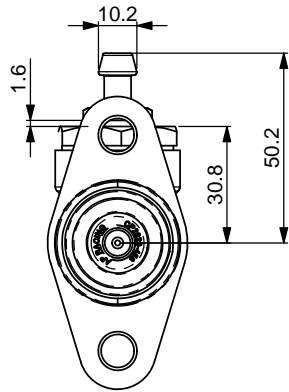


AP Racing  
Wheler Road  
Coventry  
CV3 4LB

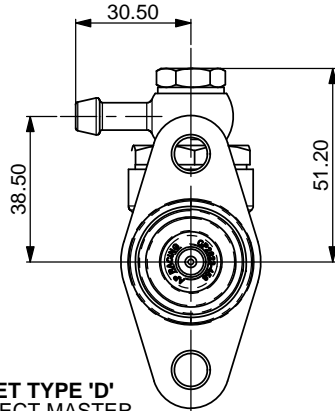
Tel: +44 024 7663 9595  
Fax: +44 024 7663 9559  
e-mail: sales@ap racing.co.uk  
Web site: http://www.ap racing.com

© AP Racing Ltd. 2005

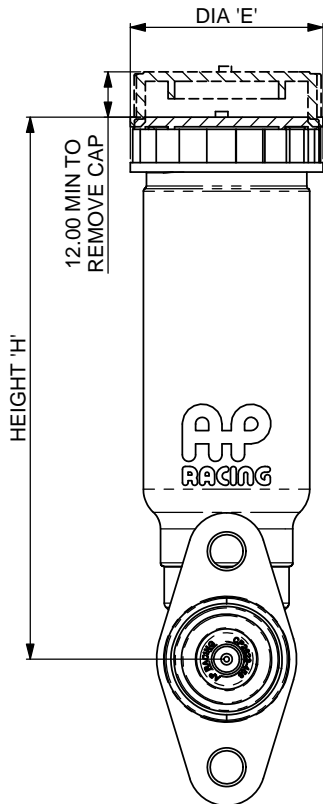
## ALTERNATIVE INLET OPTIONS



**INLET TYPE 'A'**  
SELECT MASTER CYLINDER WITH INLET TYPE 'B', PLUS INLET ADAPTOR KIT PART NUMBER CP2623-30



**INLET TYPE 'D'**  
SELECT MASTER CYLINDER WITH INLET TYPE 'B', PLUS INLET ADAPTOR KIT PART NUMBER CP2623-41

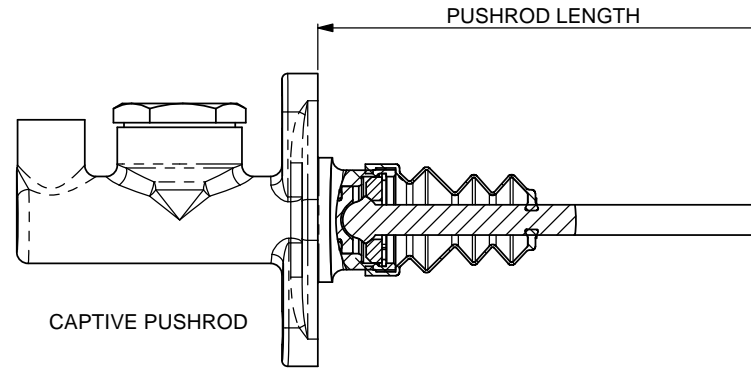


**INLET TYPE 'C'**  
SELECT MASTER CYLINDER WITH INLET TYPE 'B', PLUS RESERVOIR FROM PART NUMBER CHART BELOW.

PLEASE NOTE:  
TO FIT CP4709 TYPE RESERVOIRS THE INLET ADAPTOR AND COPPER GASKET ARE TO BE REMOVED. FITTING INSTRUCTIONS SUPPLIED WITH RESERVOIR.

RESERVOIR PART No.	HEIGHT 'H' mm (in)	DIA 'E' mm (in)	VOLUME cm <sup>3</sup> (in <sup>3</sup> )
CP4709-10	194 (7.64")	51 (2.0")	183 (11.1)
CP4709-11	144 (5.67")	51 (2.0")	123 (7.5)
CP4709-12	104 (4.09")	51 (2.0")	75 (4.5)
CP2293-163	167 (6.57")	89 (3.5")	340 (20.7)

OTHER RESERVOIR OPTIONS AVAILABLE, SEE AP RACING HYDRAULIC ACTUATION CATALOGUE



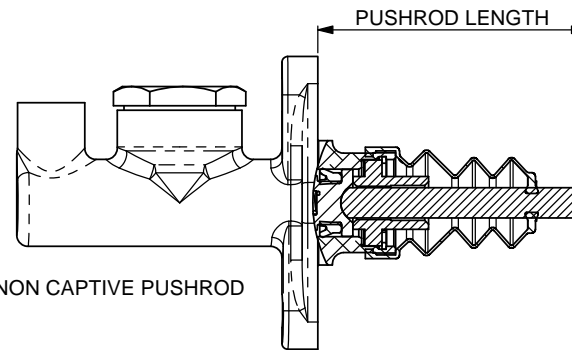
CAPTIVE PUSHROD

PUSHRODS ARE AVAILABLE IN THE FOLLOWING LENGTHS:  
88mm (3.46"), 115mm (4.53") AND 160mm (6.3").  
NON-STANDARD LENGTHS AVAILABLE ON REQUEST.

CAPTIVE PUSHROD TYPES:  
PRT - PUSH ROD THREADED 5/16" UNF  
PRM - PUSH ROD THREADED M8 x 1.25  
PUSHROD LENGTHS ARE MEASURED FROM THE MOUNTING FLANGE.

IMPORTANT NOTE:  
CP2623 MASTER CYLINDER IS INDIVIDUALLY SHIMMED DURING ASSEMBLY TO MINIMISE FREE PLAY. THEREFORE PUSH RODS SHOULD NOT BE SWITCHED BETWEEN INDIVIDUAL MASTER CYLINDER ASSEMBLIES.

PUSHROD EXTENTIONS THAT GIVE A TOTAL LENGTH OF OVER 200mm ARE NOT RECOMMENDED. IT IS THE CUSTOMERS RESPONSIBILITY TO CHECK SUITABILITY OF PUSHROD AND EXTENTION PIECES TO TAKE APPLIED LOADS.



NON CAPTIVE PUSHROD

NON CAPTIVE PUSHRODS:  
CP2623 MASTER CYLINDER IS AVAILABLE WITH NON CAPTIVE PUSHRODS. THIS ENABLES THE REMOVAL OF THE MASTER CYLINDER WITHOUT NEED TO REMOVE THE PUSHROD FROM THE BRAKE PEDAL OR BALANCE BAR ASSEMBLY. PUSH RODS ARE AVAILABLE IN LENGTHS EQUIVALENT TO THOSE SHOWN ABOVE.  
PUSHROD TYPES:  
NCT - NON CAPTIVE PUSHROD THREADED 5/16" UNF  
NCM - NON CAPTIVE PUSHROD THREADED M8 x 1.25

Issue No.	Date & No.	Alterations Particulars	Zone	Initials
		SEE SHEET 1 FOR DETAILS		

SCALE 1:1	SHEET 4 OF 4
DRAWN	Steve Thomas
APPROVED	
DERIVED FROM	
TITLE EXTRA SHORT MASTER CYLINDER	
DRG NO.	CP2623-1CD