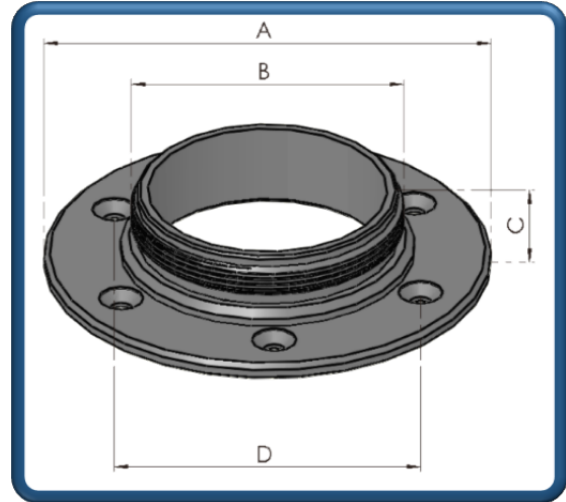




Classic 200

Classic 200 6 Bolt Flange.
Part Number: FL-AB-008 (CF200)



Specifications:

Options:
Fixing Arrangement:
Applications:
Compatibilities:

Finish:
Weight:
Supplied With:

N/A
6 x M4 Countersink Bolts
Fuel, Oil & Water Tanks
Compatible with Add Blue
Operation Temperature -40°C to +80°C
Anodised Silver
28.0 grams
Flange
Screw Pack
Gasket

Materials:

Flange:
Flange Gasket:
Screw Pack:

Aluminium Alloy 6082/T6
NBR Bonded Cork
A2 type Stainless Steel

Dimensions:

Outside Diameter A:
Thread Specification B:
Height C:
Pitch Circle Diameter D:

82.0mm
2.0" x 18 WHITFORM Med Thread
16.0mm
63.5mm

Optional('s):

Viton A Gasket
Classic 2.0" Cap

Fluid Containment – When It Matters

Tell: +4420 8594 7990 / Fax: +4420 8594 7989 / www.newton-equipment.com / info@newton-equipment.com
Registered in England. 6 Orwell Close/ Fairview Ind. Park/ Rainham/ Essex/ RM13 8UB