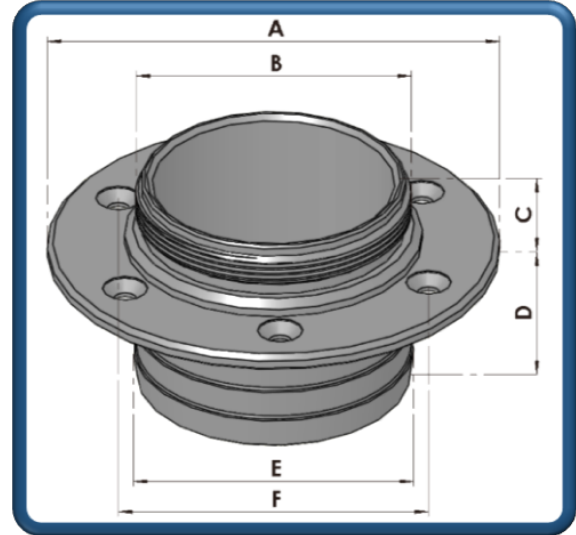




Classic 200

**Classic 200 6 Bolt Ø51.0 Flange Neck.
Part Number: FL-AB-009 (CFN200)**



Specifications:

Options:
Fixing Arrangement:
Applications:
Compatibilities:

Finish:
Weight:
Supplied With:

N/A
6 x M4 Countersink Bolts
Fuel, Oil & Water Tanks
Compatible with Add Blue
Operation Temperature -40°C to +80°C
Anodise Silver +AA6 BS EN ISO 7599
30.0 grams
Flange
Screw Pack (CSK Screws, Washers, Nyloc Nuts)
Gasket

Materials:

Flange Neck:
Flange Gasket:
Screw Pack:

Aluminium Alloy 6085/T6
NBR Bonded Cork
A2 Type Stainless Steel

Dimensions:

Outside Diameter A:
Thread Specification B:
Height C:
Neck Height D:
Neck Diameter E:
Pitch Circle Diameter F:

82.0mm
2.0" x 18TPI WHITFORM Med Thread
16.0mm
26.0mm
Ø51.0mm
63.5mm

Optional('s):

Viton A Gasket
Classic 2.0" "Monza Style Cap"
Ø51.0 Straight Hose 1m
Ø51.0 Angle Hose 90°
Ø51.0 Angle Hose 45°

Fluid Containment – When It Matters

Tell: +4420 8594 7990 / Fax: +4420 8594 7989 / www.newton-equipment.com / info@newton-equipment.com
Registered in England. 6 Orwell Close/ Fairview Ind. Park/ Rainham/ Essex/ RM13 8UB