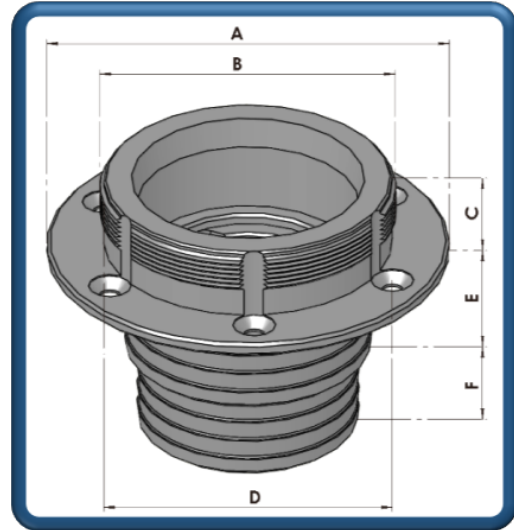




# Classic 275

**Classic 2.75" 50/57mm Flange Neck.  
Part Number: FL-AD-012 (CFN250)**



## Specifications:

**Options:**  
**Fixing Arrangement:**  
**Applications:**  
**Compatibilities:**

**Finish:**  
**Weight:**  
**Supplied With:**

N/A  
6 x M5 CSK Bolts  
Fuel, Oil & Water Tanks  
Compatible with Add Blue  
Operation Temperature -40°C to +80°C  
Anodised Silver +AA6 BS EN ISO 7599  
75.0 grams  
Flange Neck  
M5 Screw Pack (CSK Screws, Washers, Nyloc Nuts)  
Gasket

## Materials:

**Flange:**  
**Screw Pack:**  
**Gasket:**

Aluminium Alloy 6082/T6  
A2 Type Stainless Steel  
NBR Cork

## Dimensions:

**Outer Diameter A:**  
**Thread Specification B:**  
**Height C:**  
**PCD D:**  
**Height + Diameter E:**  
**Height + Diameter F:**

94.0mm  
2.75" x 16TPI WHITFORM Thread  
16.0mm  
6 x M5 CSK Holes on a 76.2mm PCD  
Ø57.0 x 26.0mm  
Ø50.0 x 20.0mm

## Optional('s):

Viton A Gasket  
Locking Insert  
Classic 2.75" Flat Top Cap  
Classic 2.75" Bus Style Cap  
Ø51.0/57.0 Straight Hose 1m  
Ø51.0/57.0 Angle Hose 90°  
Ø51.0/57.0 Angle Hose 45°  
Lead-Free Flap

***Fluid Containment – When It Matters***

Tell: +4420 8594 7990 / Fax: +4420 8594 7989 / [www.newton-equipment.com](http://www.newton-equipment.com) / [info@newton-equipment.com](mailto:info@newton-equipment.com)  
Registered in England. 6 Orwell Close/ Fairview Ind. Park/ Rainham/ Essex/ RM13 8UB