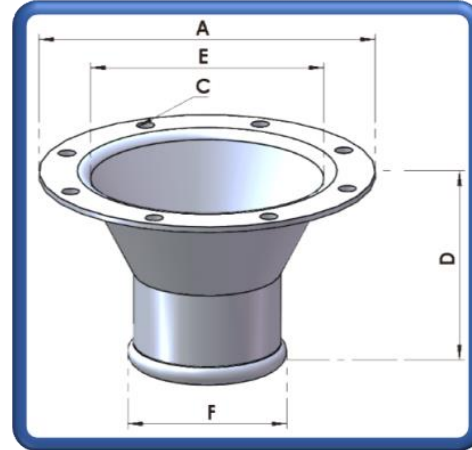




# Aero 400

**A400 Flange Neck, Silver, Ø51.0 Integral Neck.  
Part Number: FL-AE-018 (CN4850)**



## Options:

### Part Description

A400 Flange Neck, Silver, Ø57.0 Integral Neck:

### Part Number

FL-AE-021 (CN4857)

## Specifications:

**Fixing Arrangement:**

**Applications:**

**Compatibilities:**

**Finish:**

**Weight:**

**Supplied With:**

Bolt Connection

Fuel, Oil & Water Tanks

Extreme Fuels

Operation Temperature -40°C to +80°C

Anodised

94.0 grams (FL-AE-018)

94.0 grams (FL-AE-021)

Gasket

## Materials:

**Adaptor Neck:**

**Gasket:**

Aluminium Alloy 6082/T6

NBR Neoprene Bonded Cork

## Dimensions:

**Outside Diameter A:**

**Centre Cap Diameter B:**

**Bolt Circle Diameter C:**

**Hose overall Depth D:**

**Hose Attachment Height E:**

**Hose Attachment Height F:**

114.0mm

N/A

101.6mm

62.0mm

32.0mm

51.0mm (FL-AE-018)

57.0mm (FL-AE-021)

## Optional('s):

Aero 400 Flange Filler Assemblies

***Fluid Containment – When It Matters***

Tell: +4420 8594 7990 / Fax: +4420 8594 7989 / [www.newton-equipment.com](http://www.newton-equipment.com) / [info@newton-equipment.com](mailto:info@newton-equipment.com)

Registered in England. 6 Orwell Close/ Fairview Ind. Park/ Rainham/ Essex/ RM13 8UB