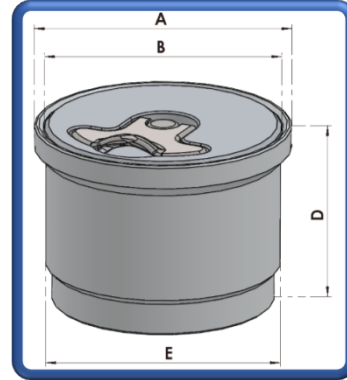




# Aero 300

**A300 Fuel Filler Cap, Non-Locking, Non-vented, Silver,  
Weld-On Neck.**

**Part Number: OB-ZA-040 (A3NSX)**



## Options:

### Part Description

A300 Fuel Filler Cap, Locking, Non-Vented, Silver, Weld-On Neck

A300 Fuel Filler Cap, Non-Locking, Non-Vented, Black, Weld-On Neck

A300 Fuel Filler Cap, Locking, Non-vented, Black, Weld-On Neck

### Part Number

OB-ZA-044 (A3NLX)

OB-ZA-102 (A3NSXB)

OB-ZA-103 (A3NLXB)

## Specifications:

**Fixing Arrangement:**

**Applications:**

**Compatibilities:**

**Finish:**

**Weight:**

**Supplied With:**

Weld-On or Adhesive

Fuel, Oil & Water Tanks

Extreme Fuels

Operation Temperature -40°C to +80°C

Anodised

125.0 grams

Centre Cap

Weld-On Neck

## Materials:

**Centre Cap:**

**Weld-On Ring:**

**O-Ring:**

**Saddle:**

**Lever & Centre Pin:**

**Washer & Nyloc Nut:**

Aluminium Alloy 6063/T6 Forging

Aluminium Alloy 6082/T6

Viton A (FPM or FKM)

Acetal POM Kepital F20-03

Stainless Steel 303/304

Stainless Steel A2 Type

## Dimensions:

**Outside Diameter A:**

**Centre Cap Diameter B:**

**Bolt Circle Diameter C:**

**Depth D:**

**Spigot:**

**Neck Diameter E/F:**

**Flange Thickness:**

62.50mm

57.5mm

N/A

41.5mm

57.0 (Ø58.0 Cut-Out)

N/A

N/A

## Optional('s):

Metal Saddle

Hard Anodising

**Fluid Containment – When It Matters**

Tell: +4420 8594 7990 / Fax: +4420 8594 7989 / [www.newton-equipment.com](http://www.newton-equipment.com) / [info@newton-equipment.com](mailto:info@newton-equipment.com)

Registered in England. 6 Orwell Close/ Fairview Ind. Park/ Rainham/ Essex/ RM13 8UB