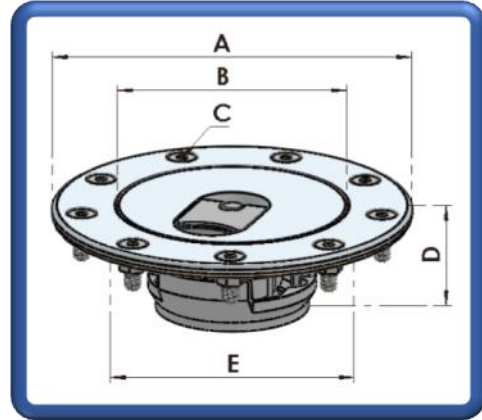




# Aero 400

**A400 Fuel Filler Cap, Non-Vented, Non-Locking, Flange, Silver.**

**Part Number: OC-ZA-005 (A49S)**



## **Options:**

### **Part Description**

A400 Fuel Filler Cap, Non-Vented, Locking, Flange, Silver:  
A400 Fuel Filler Cap, Non-Vented, Non-Locking, Flange, Black:  
A400 Fuel Filler Cap, Non-Vented, Locking, Flange, Black:

### **Part Number**

OC-ZA-007 (A49L)  
OC-ZA-006 (A49SB)  
OC-ZA-008 (A49LB)

## **Specifications:**

**Fixing Arrangement:**

**Applications:**

**Compatibilities:**

**Finish:**

**Weight:**

**Supplied With:**

9 x M05 CSK Bolts

Fuel, Oil & Water Tanks

Compatible with Jet Fuel 100LL

Operation Temperature -40°C to +80°C

Anodised Clear

250.0 grams

Cap

Flange

M05 Screw Pack (CSK Screws, Washers & Nyloc Nuts)

NBR Cork Gasket

## **Materials:**

**Centre Cap:**

**O-Ring:**

**Saddle:**

**Lever & Centre Pin:**

**Washer & Nyloc Nut:**

**Gasket:**

Aluminium Alloy 6082/T6

Viton A (FPM or FKM)

Acetal POM Kepital F20-03

Stainless Steel 303/304

Stainless Steel A2 Type

Neoprene Bonded Cork (NBR)

## **Dimensions:**

**Outside Diameter A:**

**Centre Diameter B:**

**Bolts Circle Diameter C:**

**Depth D:**

**Spigot E:**

**Neck Diameter:**

**Flange Thickness:**

120.0mm

76.5mm

101.6mm

35.5mm (Adjustable)

80.0 (Ø81.0 Cut-Out)

N/A

3.0mm

## **Optional('s):**

Lanyard

Hard Anodising

Viton (FPM) Gasket

***Fluid Containment – When It Matters***

Tell: +4420 8594 7990 / Fax: +4420 8594 7989 / [www.newton-equipment.com](http://www.newton-equipment.com) / [info@newton-equipment.com](mailto:info@newton-equipment.com)

Registered in England. 6 Orwell Close/ Fairview Ind. Park/ Rainham/ Essex/ RM13 8UB