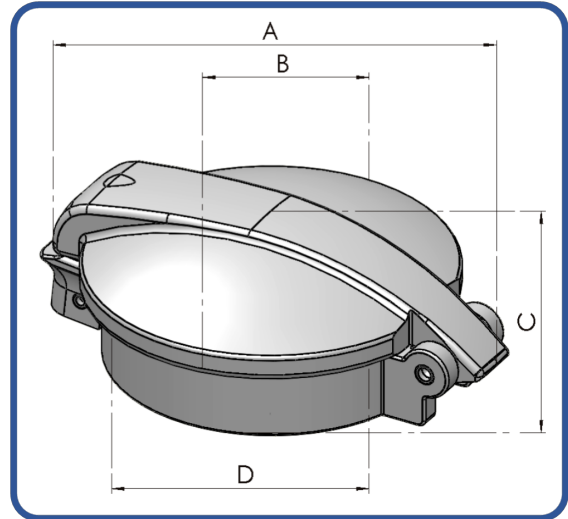




Classic 250

Classic 250 "Monza" Fuel Filler Cap.
Part Number: OJ-ZA-001 (C25D)



Specifications:

Options:
Fixing Arrangement:
Applications:
Compatibilities:

Finish:
Weight:
Supplied With:

N/A
2.5" x 18TPI WHIT FORM Thread
Fuel, Oil & Water Tanks
Compatible with Add Blue
Operation Temperature -40°C to +80°C
Natural Polished
126.0 grams
Fibre Gasket

Materials:

Centre Cap:
Flange:
O-Ring:
Seal Plate:
Gasket:

Aluminium Alloy LM25 Cast
Aluminium Alloy LM25 Cast
Viton A (FPM or FKM)
Brass
Fibre Vulcan

Dimensions:

Length A:
Width B:
Height C:
Thread D:
Bore Diameter:

100.0mm
76.0mm
32.0mm
2.5" x 18TPI WHIT FORM Thread
53.0

Optional('s):

Flange
Flange Neck

Fluid Containment – When It Matters

Tell: +4420 8594 7990 / Fax: +4420 8594 7989 / www.newton-equipment.com / info@newton-equipment.com
Registered in England. 6 Orwell Close/ Fairview Ind. Park/ Rainham/ Essex/ RM13 8UB