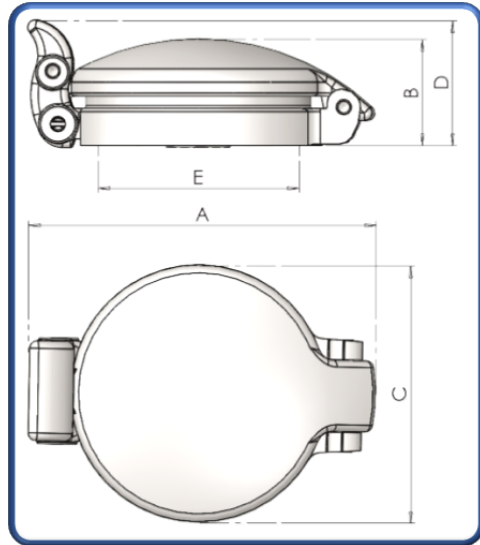




Classic 275

Classic Bus 2.75" Filler Cap, Pull Lever Action. Part Number: OK-ZA-003 (C275CHBUS)



Specifications:

Options:

Fixing Arrangement:

Applications:

Compatibilities:

Finish:

Weight:

Non-Locking or **Locking** (Supplied with Locking Insert)

Can either be Tank Mounted (via Flange) or Remotely Mounted (via Flange and hose tail).

Fuel, Oil & Water Tanks

Operation Temperature -40°C to +80°C

Chrome Plated

525 grams

Materials:

Centre Cap:

Seal:

Zinc Die Casted/ Chrome Plated

Viton A or Fibre Gasket (Optional)

Dimensions:

A:

B:

C:

D:

E:

Filling Aperture:

115.4mm

35.0mm

85.0mm

41.1mm

2.75" x 16TPI WHIT MED THD

Ø51.0mm

Associated Parts:

Tank Mount Flange
Remote Mount Flange Neck
Locking Insert

Fluid Containment – When It Matters

Tell: +4420 8594 7990 / Fax: +4420 8594 7989 / www.newton-equipment.com / info@newton-equipment.com
Registered in England. 6 Orwell Close/ Fairview Ind. Park/ Rainham/ Essex/ RM13 8UB