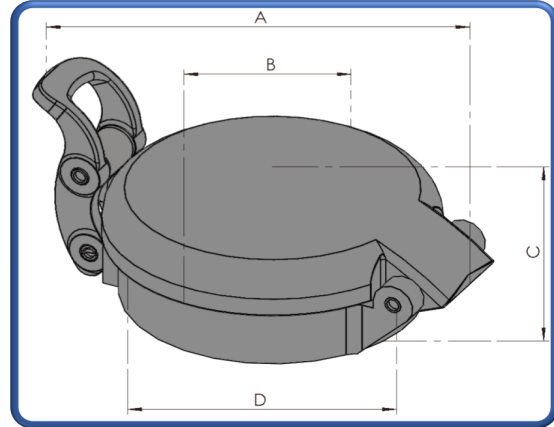




Classic 350

Classic Bus 3.5" Filler Cap, Pull Lever Action. Part Number: OM-ZA-001 (C35D)



Specifications:

Options:

Fixing Arrangement:

Applications:

Compatibilities:

Finish:

Weight:

Non-Locking or Locking (Supplied with Locking Insert)

3.5" x 11TPI WHIT MED THD

Fuel, Oil & Water Tanks

Operation Temperature -40°C to +80°C

Natural Polished

520.0 grams

Materials:

Centre Cap:

Seal:

Aluminium Alloy (Casting)

Viton A or Fibre Gasket (Optional)

Dimensions:

Overall Length A:

Overall Width B:

Overall Height C:

Fixing Arrangement D:

Filling Aperture:

168.0mm

122.0mm

68.0mm

3.50" x 11TPI WHIT MED THD

Ø89.0mm

Optional ('s)

Flange

Ø50 Flange Neck

Ø57 Flange Neck

Ø63 Flange Neck

Fluid Containment – When It Matters

Tell: +4420 8594 7990 / Fax: +4420 8594 7989 / www.newton-equipment.com / info@newton-equipment.com
Registered in England. 6 Orwell Close/ Fairview Ind. Park/ Rainham/ Essex/ RM13 8UB